

# Gate Valves

The Chemline CGA Series flanged Gate Valve is an excellent isolating valve, but is also versatile. Fully open it has an unobstructed port and streamlined seating area, making pressure drop low. Water hammer can be a problem with quick closing valves such as ball and butterfly. Use of this multi-turn, slow closing valve eliminates water hammer. Unlike metal gate valves, this one may be throttled. The plastic disc is not subject to erosion by high fluid velocities, and the fully guided plug disc will not chatter. This valve is an excellent choice for underground services.



**CHEMLINE**  
Plastics Limited

*Your Pipeline To Quality*

## PVC

**SERIES:** CGA

**SIZES:** 1-1/2" – 14"

**ENDS:** Flanged

**SEALS:** EPDM

## Full Port

## NSF 61 Certified<sup>1</sup>

## Ideal for Underground Service



### Features

- **Light Weight** – Fast and easy to install
- **AWWA Flanged Face to Face Dimensions** in sizes up to 8". Can easily replace corroded steel valves.

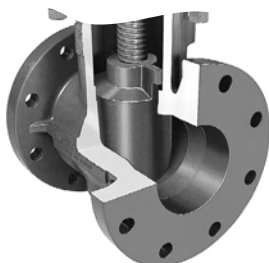
#### Streamlined Seating Area and Full Port

- Low Pressure Drop
- Little Sediment Buildup – Self Flushing



#### Cylindrical Disc and Large Seating Area

- High Working Pressures
- Good Abrasion Resistance



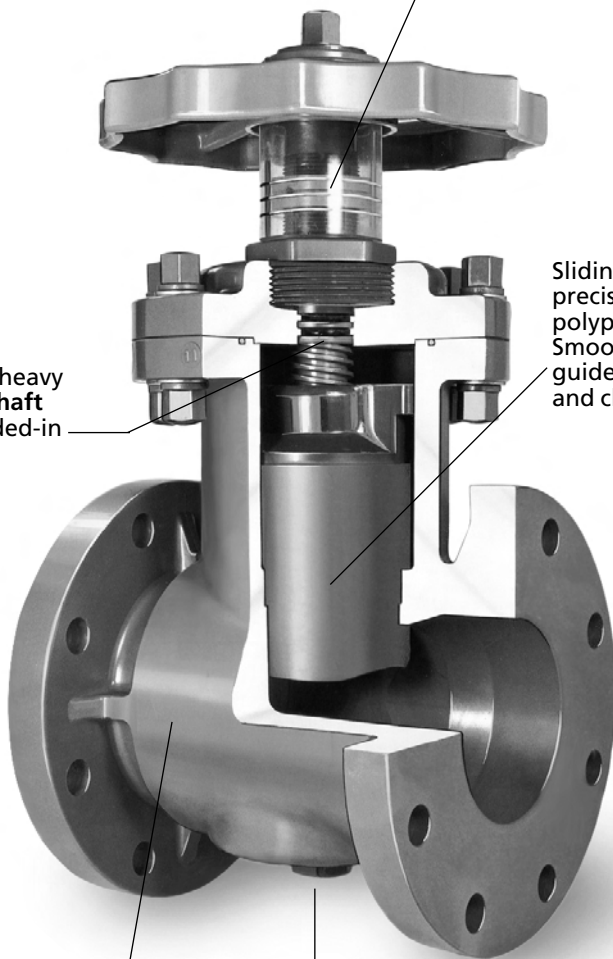
Non-rising heavy duty **PVC Shaft** with moulded-in steel core

Clear polycarbonate **Indicator** clearly shows valve position

Sliding plug **Disc** of precision machined polypropylene. Smooth fully-guided opening and closing.

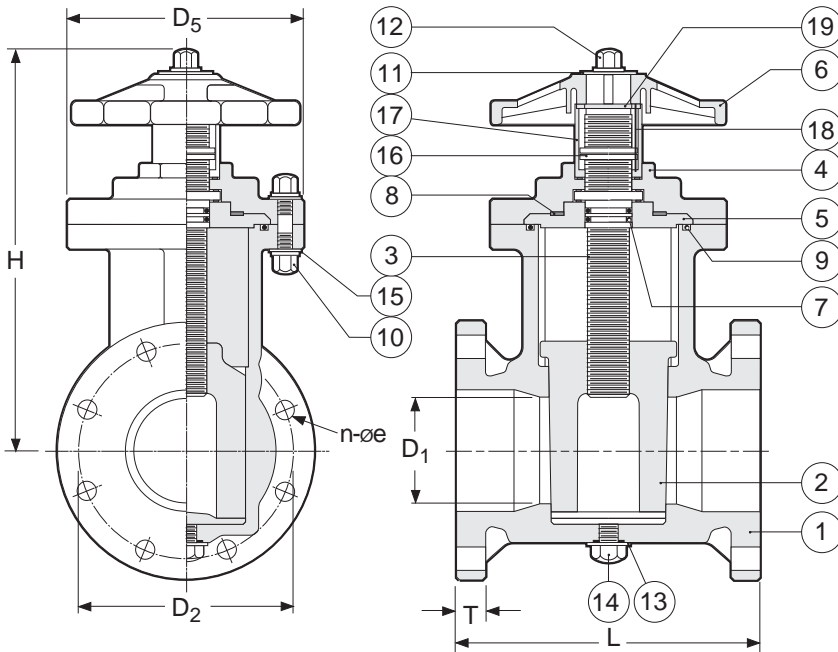
One-piece moulded **Flanged Body** is strong enough for underground piping systems

**Drain Plug**



<sup>1</sup> PVC valves with EPDM or FKM (Viton®) seals are certified under NSF/ANSI Standard 61 for contact with drinking water.

# Gate Valves



## PARTS

▲ Recommended Spare Parts

No.	Part	Pcs.	Materials
1	Body	1	PVC
2▲	Disc	1	PP
3▲	Shaft	1	PVC/Steel Core
4	Bonnet	1	PVC
5	Stem Retainer	1	PVC 8" - 14"
6	Handwheel	1	PP
7▲	Shaft O-Ring	2	EPDM
8▲	Thrust Ring	2	Teflon® 1-1/2" - 6"
8▲	Thrust Bearing	2	8" - 14"
9▲	Bonnet O-Ring	1	EPDM
10	Bolt & Nut	Set	Stainless Steel
11	Washer	1	PVC 1-1/2" - 6"
12	Handwheel Nut	1	PVC
13	Gasket	1	EPDM
14	Drain Plug	1	PVC
15	Washer	Set	Stainless Steel
16	Indicator Ring	1	PVC
17	Indicator Tube	1	Polycarbonate
18	Indicator Pin	1	Stainless Steel
19	Indicator O-Ring	1	EPDM

## DIMENSIONS INCHES

## NET WEIGHTS

## WORKING PRESSURES PSI C<sub>v</sub> VALVES

Size	D <sub>1</sub>	D <sub>2</sub>	n	e	D <sub>5</sub>	L	H	T	NET WEIGHTS		WORKING PRESSURES PSI C <sub>v</sub> VALVES	
									KG	LB.	0-50°C 32-122°F	USGPM @ 1 PSI Pressure Drop
1-1/2"	1.52	3.88	4	0.63	4.72	6.50	9.26	0.87	2.5	5.5	150	130
2"	1.96	4.74	4	0.75	5.12	7.00	10.15	0.91	3.4	7.5	150	180
2-1/2"	2.54	5.49	4	0.75	6.10	7.50	11.42	0.94	4.7	10.3	150	415
3"	2.94	6.00	4	0.75	6.69	8.00	12.20	0.98	6.1	13.5	150	470
4"	3.94	7.50	8	0.75	7.68	9.00	13.78	1.06	9.1	20.	150	690
5"	4.33	8.50	8	0.87	9.25	10.24	16.03	1.06	14.3	31.	150	1,000
6"	5.12	9.51	8	0.87	10.63	10.50	17.52	1.06	18.2	40.	150	1,400
8"	6.61	11.75	8	0.87	12.20	11.50	22.72	1.10	30.0	66.	150	2,900
10"	8.27	14.25	12	0.98	14.17	14.96	27.17	1.18	52.5	116.	110	3,700
12"	10.04	17.01	12	0.98	16.14	15.75	31.50	1.22	66.5	147.	70	5,200
14"	11.69	18.74	12	1.14	17.91	16.93	35.82	1.26	80.0	187.	70	7,000

Max. Temp. 60°C (140°F)

## SAMPLE SPECIFICATION

- All PVC Gate Valves 1-1/2" to 14" are to be Chemline CGA Series or equal with a one-piece moulded PVC body flanged to ANSI 150. Valve material shall be PVC with cell classification 12454-A as per ASTM D-1784. Cylindrical disc shall be polypropylene and O-ring seals EPDM.
- PVC valves with EPDM or FKM (Viton®) seals shall be certified under NSF/ANSI Standard 61 for contact with drinking water.

## VACUUM RATING

- 29.9 inches mercury

## ORDERING EXAMPLE

Chemline PVC Flanged Gate Valves						CGA	060
Size	015 - 1-1/2"	020 - 2"	025 - 2-1/2"	030 - 3"	040 - 4"	050 - 5"	
	060 - 6"	080 - 8"	100 - 10"	120 - 12"	140 - 14"		

## ACCESSORIES

- 2" Municipal Operating Nut
- Shaft Extension made to any desired length
- Chainwheel Operator
- Handwheel Lockout



55 Guardsman Road, Thornhill, Ontario, Canada, L3T 6L2  
 Tel: 905-889-7890 request@chemline.com  
 Fax: 905-889-8553 www.chemline.com



Your Pipeline To Quality Valves, Piping, Flow Meters and Controls