

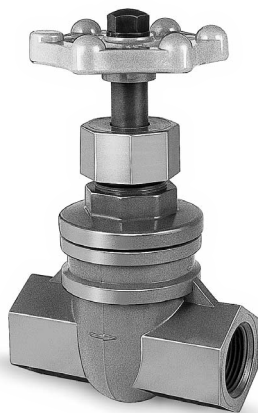
Globe Valves

The Chemline Globe Valve is an economical throttling valve. Its heavy duty design provides for long service life. The in-line globe design causes relatively high pressure drops, however this is a desirable valve due to its economy and reliability.

Slow Closing An Economical Throttling Valve

Features

- **Slow Closing**
 - Prevents water hammer in PVC piping
- **Heavy Duty Construction**
 - Long service life



Union Bonnet Design 1/2" – 2"



Your Pipeline To Quality

PVC, PP

SERIES: GV

ENDS: Socket, Threaded*, Flanged

SEALS: EPDM†

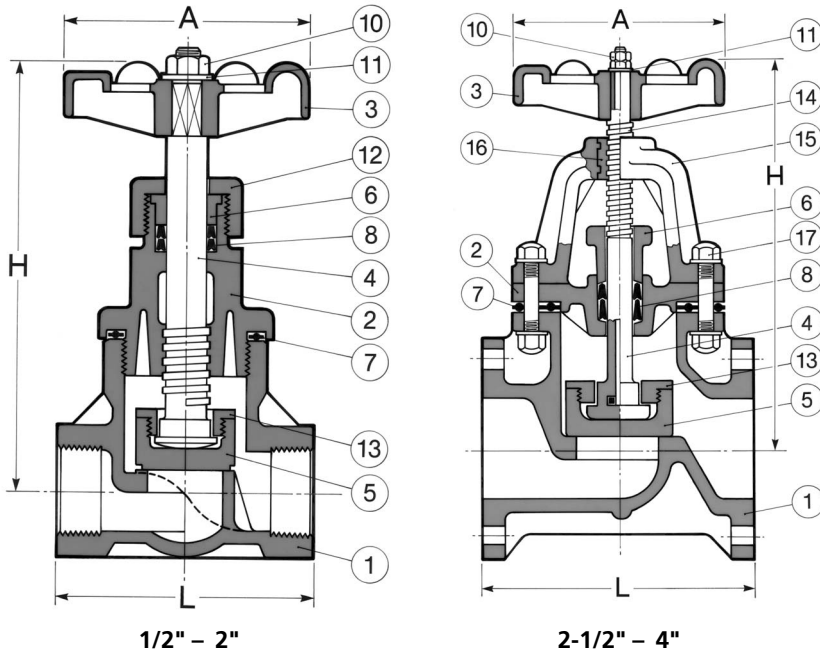
CRN
REGISTERED
CONSULT CHEMLINE



2-1/2" – 4" Outside Spindle and Yolk Type

* Socket ends are available custom basis.
† Other seal materials are available special order.

Globe Valves



PARTS

▲ Recommended Spare Parts

No.	Part	Pcs.	Materials
1	Body	1	PVC, PP
2	Bonnet	1	PVC, PP
3	Handwheel	1	PP
4	Stem	1	PVC, PP
5	Disc	1	PP
6	Gland	1	PVC, PP
7▲	Bonnet Seal	1	EPDM
8▲	Stem Packing	2	EPDM
10	Nut	1	PVC
11	Washer	1	PVC
12	Gland Nut	1	PVC, PP
13	Disc Retainer	1	PP
14	Stem Top	1	Brass
15	Yolk	1	PP
16	Yolk Sleeve	1	Bronze
17	Bolt & Nut	8 sets	304 SS
18	Stud & Nut	2 sets	304 SS

DIMENSIONS INCHES

C_v VALUES VS % OPEN

WEIGHTS LB.

Size	A	L Soc	L† Thd	L* Flg	H Open	Valve Opening (%)					No. Turns to Open	PVC Soc/Thd	PVC Flg	PP Thd	PP Flg
						20	40	60	80	100					
1/2"	2.6	4.33	3.35	5.3	5.3	2.6	3.5	3.9	4.0	4.1	2.75	.64	1.0	.37	.66
3/4"	2.6	5.12	3.74	6.0	5.5	4.0	5.5	6.1	6.3	6.4	3.25	1.1	1.3	.55	.84
1"	3.6	5.19	4.33	6.8	6.4	6.1	8.4	9.2	9.5	9.7	3.25	1.1	2.2	.77	1.3
1-1/4"	3.6	-	5.32	8.2	6.6	11.3	15.5	17.1	17.7	18.	2.5	1.3	2.9	-	-
1-1/2"	5.3	-	5.51	8.4	9.1	13.8	19.0	20.9	21.6	22.	3.75	2.6	4.6	-	2.9
2"	5.3	-	7.09	11.0	9.9	18.2	25.0	27.5	28.5	29.	3.25	3.5	5.7	-	3.5
2-1/2"	7.3	-	-	8.7	13.6	35.7	49.2	54.1	56.1	57.	7.5	-	13.	-	11.
3"	7.3	-	-	9.5	14.1	48.9	67.3	74.1	76.7	78.	7.5	-	15.	-	11.
4"	7.3	-	-	11.4	16.5	72.1	99.2	109.	113.	115.	8.5	-	22.	-	18.

Note: 1-1/4" size is not available in PP. †Threaded ends are available in PVC 1/2" to 2" and PP 1/2" to 1".

*L Flanged is for fabricated flanged valves normally supplied 1/2" to 2". Solid flanged (special order) 1/2" to 2" valves have shorter dimensions. Consult Chemline.

WORKING PRESSURES PSI

Size	PVC			Polypropylene		
	0-20°C 32-68°F	40°C 104°F	50°C 122°F	-20-20°C -4-68°F	60°C 140°F	80°C 176°F
1/2" - 1-1/2"	150	105	105	105	90	65
2"	150	105	90	105	70	40
2-1/2" - 3"	150	105	90	105	60	35
4"	150	80	65	105	60	35

Temperature Ranges: PVC 0 to 60°C (32 to 140°F), PP -20 to 90°C (-4 to 194°F).

ORDERING EXAMPLE

Chemline Globe Valves	GV	A	015	T
Body Material	A - PVC	B - Polypropylene		
Size	005 - 1/2"	007 - 3/4"	010 - 1"	012 - 1-1/4"
	020 - 2"	025 - 2-1/2"	030 - 3"	040 - 4"
Ends	S - Socket	T - Threaded	F - Flanged	

Example: Chemline Globe Valve, PVC, 1-1/2", threaded ends.

VACUUM RATING

- 29.9 inches mercury

ACCESSORY

- Handwheel lockout



55 Guardsman Road, Thornhill, Ontario, Canada, L3T 6L2
 Tel: 905-889-7890 request@chemline.com
 Fax: 905-889-8553 www.chemline.com



Your Pipeline To Quality Valves, Piping, Flow Meters and Controls