

LC Series Lab Cocks



Chemline LC Series Lab Cocks are rugged quarter turn mini ball valves. They are ideal for general use in instrumentation lines, available at a fraction of the cost of comparable stainless steel valves. Other applications include air lines for aquaculture, for venting gas in pipe lines, process sampling and laboratory use.

Low Cost

NSF 61 Certified¹

PVC

SERIES: LC

SIZES: 1/4"

ENDS[†]: Male Threaded, Female Threaded, Male Thread x Hose, Hose x Hose

SEALS: EPDM or FKM (Viton®) Seats and Stem O-Ring

Features

- **Heavy Stems** – Rugged construction
- **1/4" Full Bore** – Low pressure drop
- **Graduation Marks** – For flow control

DIMENSIONS INCHES

Item No.	Ends	L
LCTHx	1/4" Male Thread x 3/8" ID Hose	3.48
LCFTx	1/4" Female Threaded	2.80
LCMTx	1/4" Male Threaded	2.60
LCHHx	3/8" ID Hose x Hose	4.37

x Denotes either E for EPDM seals or V for FKM (Viton®) seals.

C_v VALUE VS. OPENING

Graduation Mark	1	2	3	4
C _v Value	0.20	0.37	0.83	1.65

WORKING PRESSURES VS. TEMPERATURE

- 150 psi at 0 to 50°C (30 to 120°F)
- 15 psi at 60°C (140°F) maximum

VACUUM RATING

- 29.9 inches mercury

† ENDS AVAILABLE SPECIAL ORDER

- 1/4" or 3/8" Female Thread x Hose
- Male Thread x Female Thread – 1/4" x 1/4", 1/4" x 3/8", 1/2" x 1/4" or 1/2" x 3/8"
- 1/2" Male Thread x Hose
- Female Threaded – 1/4" x 3/8", 3/8" x 3/8"
- Male Threaded – 1/4" x 1/2", 1/2" x 1/2"

¹PVC valves with EPDM or FKM (Viton®) seals are certified under NSF/ANSI Standard 61 for contact with drinking water.

Male Thread x Hose



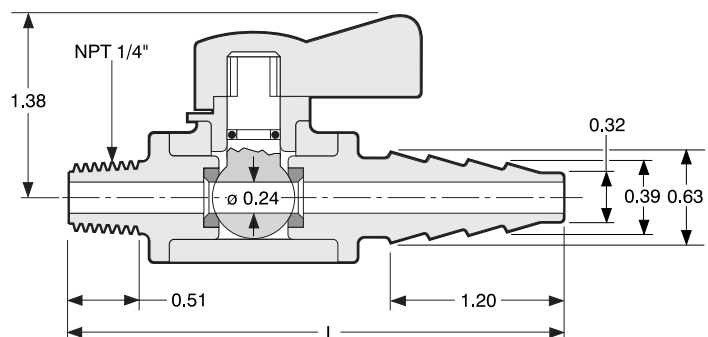
Female Threaded



Male Threaded



Hose x Hose



55 Guardsman Road, Thornhill, Ontario, Canada, L3T 6L2
 Tel: 905-889-7890 request@chemline.com
 Fax: 905-889-8553 www.chemline.com

Your Pipeline To Quality Valves, Piping, Flow Meters and Controls

