

Needle Valves

Chemline N Series Needle Valves are designed for fine throttling of corrosive and ultrapure fluids at low flow rates. Because the seal material is Teflon®, these valves are suitable for aggressive chemicals where similar valves with elastomer seals will not stand up.

Precise Control

Teflon® Seal – No Elastomers

Features

Precise Control with Fine Adjustment

- Precision machined seat and matching ground needle tip along with a 24 pitch fine thread stem (five turns from closed to full-open) provides for excellent flow control. Better control of reagents can mean significant cost savings.

High Chemical Resistance

- All parts are plastic or Teflon®. No elastomers or metal parts are used.

Lubrication Free

- No silicone or other lubricants are used

Easy Maintenance

- Seal wear is compensated for by hand tightening the cap (gland). Valve can be serviced in-line. Simply unscrew bonnet to remove complete topworks for inspection or disassembly.

Heavy Duty Construction

- Thick stems



Your Pipeline To Quality

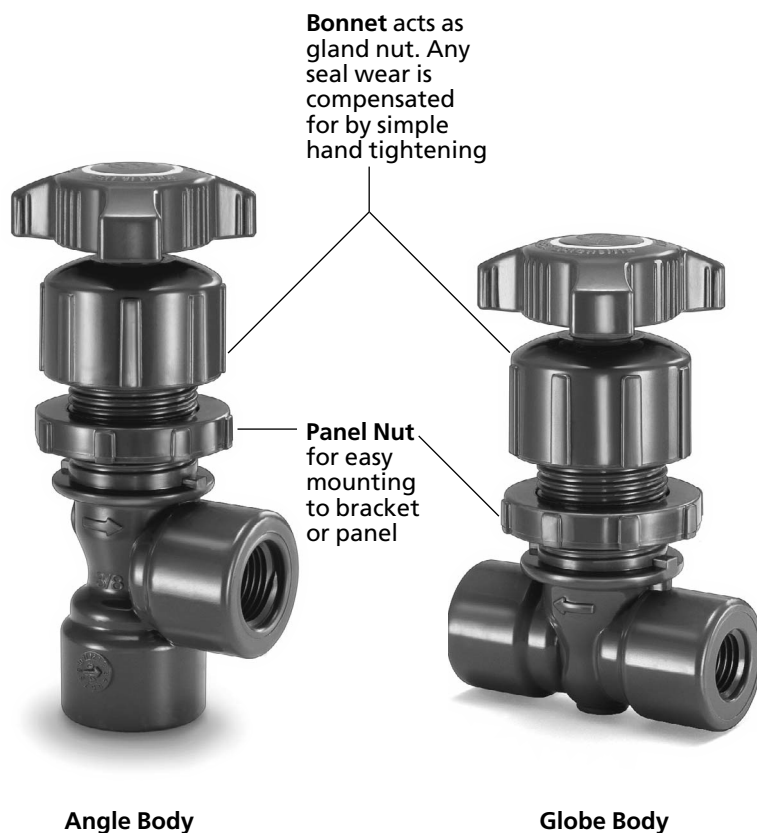
PVC, CPVC, PPG*

SERIES: NG – Globe body
NA – Angle body

SIZES: 1/4", 3/8" & 1/2"

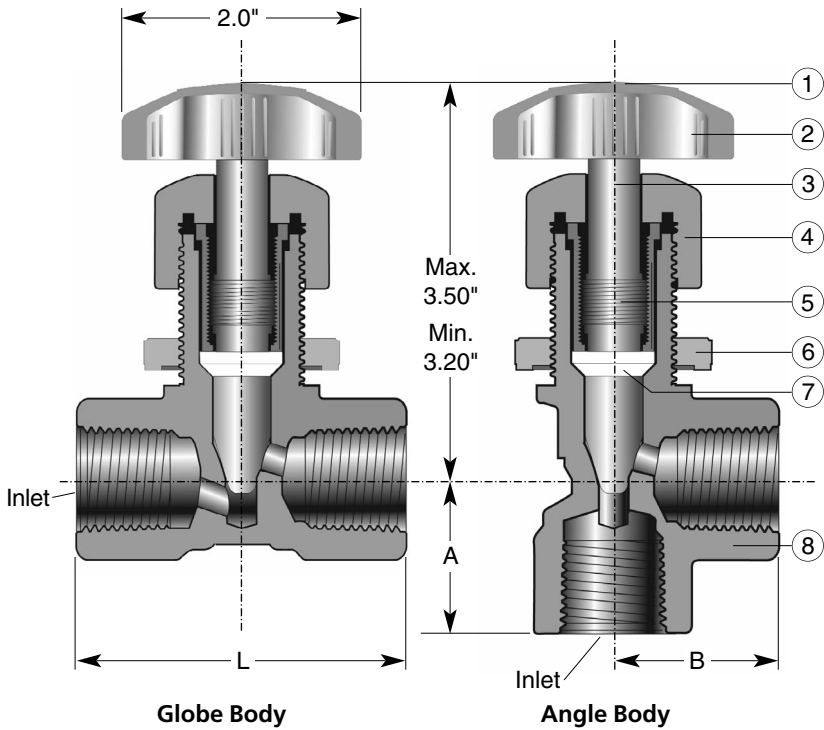
ENDS: Female NPT

STEM SEAL: Teflon® PTFE



* PPG = Glass Reinforced Polypropylene.

Needle Valves



PARTS

No.	Part	Pcs.	Materials
1	Ring Insert†	1	PVC
2	Handle	1	PVC, CPVC, PPG
3	Stem/Needle	1	PVC, CPVC, PPG
4	Bonnet	1	PVC, CPVC, PPG
5	Thread Insert	1	Nylon*, PPG
6	Panel Nut	1	PVC, CPVC, PPG
7	Seal	1	Teflon® PTFE
8	Body	1	PVC, CPVC, PPG

† Standard colour for Ring Inserts:

PVC = white, CPVC = black, PP = blue.

* Threaded insert is reinforced Nylon for PVC and CPVC valves, PPG for PPG valves.

DIMENSIONS INCHES

NET WEIGHTS LB.

C_v VALUES

Size	L	A	B	Outlet Orifice			PVC	CPVC	PPG	Globe Body	Angle Body
				Globe	Angle						
1/4"	2.31	1.16	1.17	.187	.250	.187	.25	.27	.27	.31	.43
3/8"	2.39	1.19	1.21	.187	.250	.187	.25	.27	.27	.31	.43
1/2"	2.65	1.31	1.32	.218	.250	.218	.25	.27	.27	.62	.78

WORKING PRESSURES PSI

Size	PVC		CPVC			PPG		
	0-50°C 32-122°F	0-65°C 32-149°F	80°C 176°F	90°C 194°F	-20-30°C -4-86°F	60°C 140°F	75°C 167°F	
1/4"	150	150	100	60	150	100	60	
3/8"	150	150	100	60	150	100	60	
1/2"	150	150	100	60	150	100	60	

Temperature Ranges: PVC 0 to 60°C (32 to 140°F), CPVC 0 to 95°C (32 to 203°F), PPG -20 to 75°C (-4 to 167°F).

SAMPLE SPECIFICATION

All (PVC/CPVC/PPG) Needle Valves 1/4" to 1/2" shall be Chemline N Series (Globe/Angle) body with Teflon® PTFE seal and no elastomers. Valves will have 24 pitch stem threads for fine control and have panel mounting capability.

ORDERING EXAMPLE

Chemline Needle Valves				N	G	A	005
Body Pattern	G – Globe	A – Angle					
Valve Material	A – PVC	B – PPG	C – CPVC				
Size	002 – 1/4"	003 – 3/8"	005 – 1/2"				

Example: Needle Valve, Globe Pattern, PVC, 1/2", threaded ends.

VACUUM RATING

- 29.9 inches mercury

OPTIONS

- Black, white, blue or red rings are available for colour coding



55 Guardsman Road, Thornhill, Ontario, Canada, L3T 6L2
 Tel: 905-889-7890 request@chemline.com
 Fax: 905-889-8553 www.chemline.com



Your Pipeline To Quality Valves, Piping, Flow Meters and Controls