

Compact Ball Valves

Chemline Compact Ball Valves are manufactured to the same high quality standards to the Type 21 True Union ball valve. They are used on applications where union end valves are not necessary or desired such as drain valves for tanks. They are also lower cost and more compact. The Type 21 True Union ball valve although more expensive than the Compact type, are preferable for chemical and seawater services where easy in-line servicing and parts replaceability is required.

Low Cost

Rugged

NSF 61 Certified¹

Features

All PVC or all CPVC Construction

- Handles are colour coded red for PVC, blue for CPVC

High Chemical Resistance

- The PVC as well as CPVC compounds for these valves have an "A" chemical resistance rating² – superior to competition

Full Port

- Low pressure loss

Low Stem Torques

- Due to floating ball design and cushioned Teflon® seats

Compact

- Space saving



CHEMLINE
Plastics Limited

Your Pipeline To Quality

PVC, CPVC

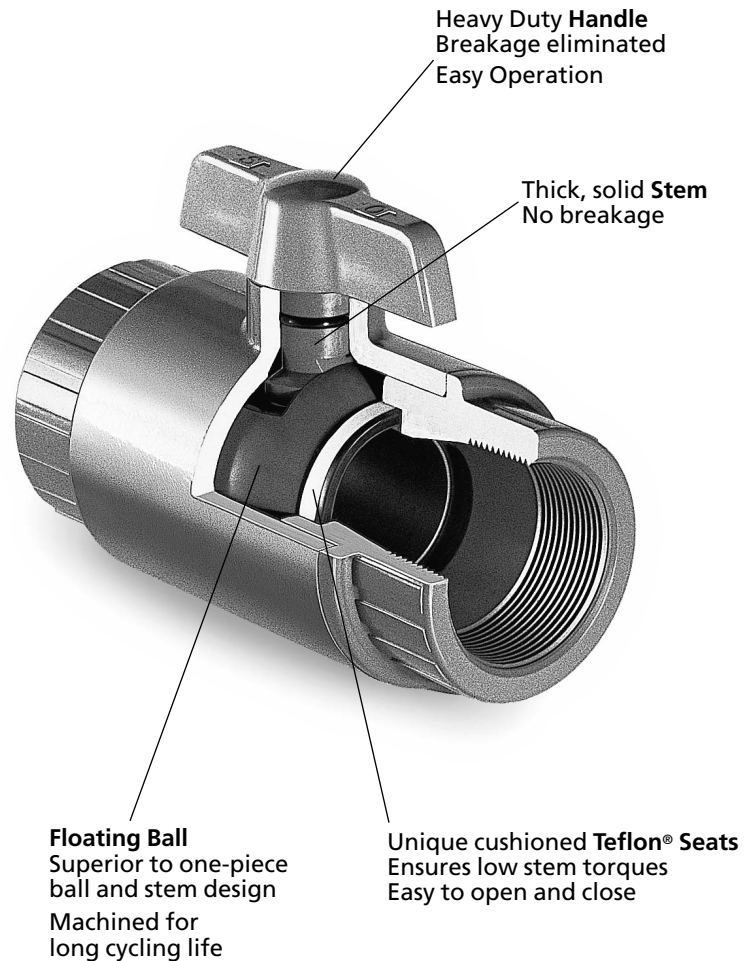
SERIES: OM

SIZES: 3/8" – 3"

ENDS: Threaded, Socket

SEATS: Teflon® PTFE

STEM SEAL: EPDM

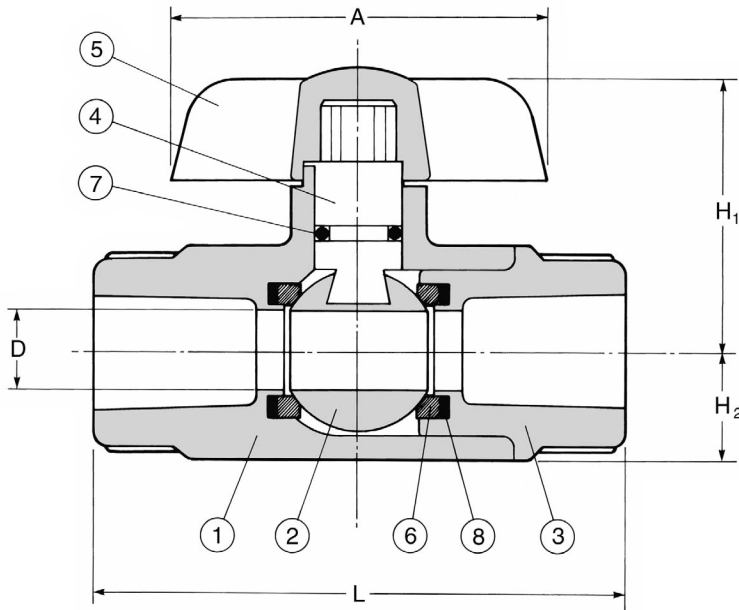


Available with Electromni® Electric Actuator

¹ Valves are certified under NSF/ANSI Standard 61 for contact with drinking water.

² Designation for chemical resistance as per ASTM D-1784.

Compact Ball Valves



PARTS

No.	Part*	Pcs.	Materials
1	Body	1	PVC, CPVC
2	Ball	1	PVC, CPVC
3	End Connector	1	PVC, CPVC
4	Stem	1	PVC, CPVC
5	Handle	1	ABS
6	Seat	2	Teflon® PTFE
7	Stem O-Ring	1	EPDM
8	Seat Cushion	2	EPDM

*Parts for identification only and cannot be removed

DIMENSIONS INCHES

Size	D	L	A	H ₁	H ₂
3/8"	.51	3.35	2.4	1.65	0.69
1/2"	.51	3.35	2.4	1.65	0.69
3/4"	.79	4.00	3.2	2.20	0.95
1"	1.00	4.49	3.2	2.36	1.16
1-1/4"	1.22	5.00	3.7	2.76	1.31
1-1/2"	1.40	6.03	4.3	3.00	1.44
2"	1.80	6.93	4.3	3.34	1.74
3"	2.76	9.25	7.9	4.80	2.58

WORKING PRESSURES PSI

Size	PVC		CPVC			PVC	CPVC	USGPM Flow at 1 psi ΔP
	0-50°C 68-122°F	0-50°C 68-122°F	60°C 140°F	80°C 176°F	90°C 194°F			
3/8"	150	150	120	85	55	0.3	0.3	7.7
1/2"	150	150	120	85	55	0.3	0.3	14.0
3/4"	150	150	120	85	55	0.4	0.5	29.0
1"	150	150	120	85	55	0.7	0.8	47.0
1-1/4"	150	150	120	85	55	0.9	1.0	72.0
1-1/2"	150	150	120	85	55	1.2	1.3	140.0
2"	150	150	120	85	55	2.0	2.1	185.0
3"	150	150	120	85	55	6.3	6.8	410.0

Temperature Ranges: PVC -0 to 60°C (32 to 140°F), CPVC -0 to 95°C (32 to 203°F).

NET WEIGHTS LB.

C_v VALUES

SAMPLE SPECIFICATION - PVC

All Ball Valves (to 3") are to be Chemline OM Series *Compact* or equal with EPDM stem O-ring, Teflon® seats with EPDM cushions, and free floating ball. PVC compound will have cell classification 12454-A with minimum "A" suffix designation for chemical resistance as per ASTM D-1784. Valve shall be certified under NSF/ANSI Standard 61 for contact with drinking water.

ORDERING EXAMPLE

Chemline Compact Ball Valves				OM	A	020	T
Valve Material	A - PVC		C - CPVC				
Size	003 - 3/8"	005 - 1/2"	007 - 3/4"	010 - 1"			
	012 - 1-1/4"	015 - 1-1/2"	020 - 2"	030 - 3"			
Ends	S - Socket	T - Threaded					

Example: Compact Ball Valve, PVC, 2", threaded ends.

VACUUM RATING

- 29.9 inches mercury

OPTIONS & ACCESSORIES

- **Electrically Actuated** - See Electromni® Electric Actuator data page
- **Flanged Ends**



55 Guardsman Road, Thornhill, Ontario, Canada, L3T 6L2
 Tel: 905-889-7890 request@chemline.com
 Fax: 905-889-8553 www.chemline.com



Your Pipeline To Quality Valves, Piping, Flow Meters and Controls