

Type 26 Ball Valves

This is a full port, full blocking True Union valve pressure rated at 16 bar (230 psi). Double stem o-rings are provided for safety. The bodies are interchangeable with the old *Safe-Bloc*® valves in several sizes.

230 psi Working Pressure

NSF 61 Certified¹

Double Stem O-Rings for Safety

Features

Pressure rated to 230 psi

- Provides a high factor of safety

Full Port

- High capacity and low pressure drops

Fully Blocking

- Downstream union nut may be safely disassembled for piping maintenance while valve is closed off under full system pressure

Built-In Spanner Wrench

- Top of the handle is designed to be used as a tool for accessing internal parts

Compatible with *Safe-Bloc*® Ball Valves

- 1/2", 1-1/4" and 2" sizes can easily replace old *Safe-Bloc*® True Union ball valves. The body sections are interchangeable in these sizes only.

| Size | Replace <i>Safe-Bloc</i> ®? |
|--------|-----------------------------|
| 1/2" | Yes |
| 3/4" | No |
| 1" | No |
| 1-1/4" | Yes |
| 1-1/2" | No |
| 2" | Yes |

PVC

SERIES: Type 26

SIZES: 1/2" – 2"

ENDS: Socket

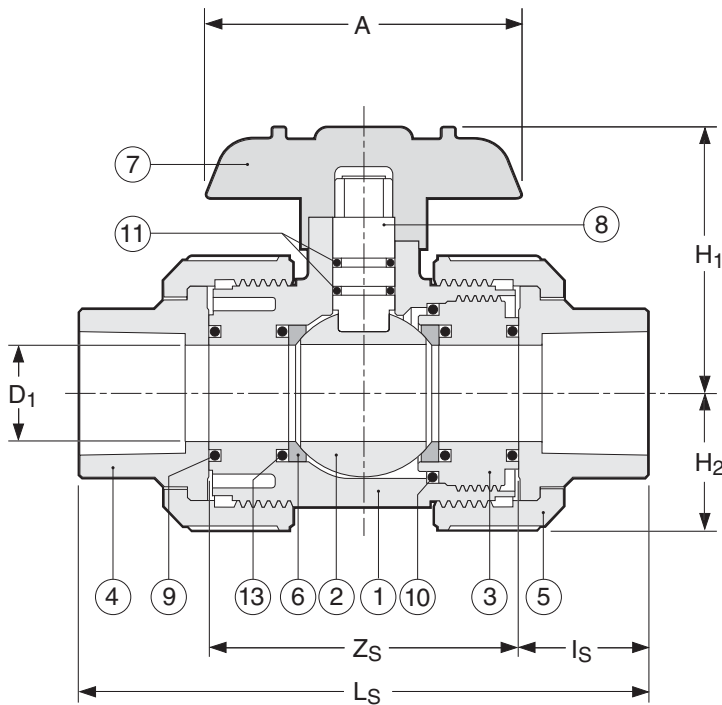
SEATS: Teflon® PTFE

SEALS: EPDM



¹Valves are certified under NSF/ANSI Standard 61 for contact with drinking water.

Type 26 Ball Valves



PARTS

▲ Recommended Spare Parts

| No. | Part | Pcs. | Materials |
|-----|----------------|------|-----------|
| 1 | Body | 1 | PVC |
| 2 | Ball | 1 | PVC |
| 3 | Carrier | 1 | PVC |
| 4 | End Connector | 2 | PVC |
| 5 | Union Nut | 2 | PVC |
| 6▲ | Ball Seat | 2 | PTFE |
| 7 | Handle | 1 | ABS |
| 8 | Stem | 1 | PVC |
| 9▲ | Face O-Ring | 2 | EPDM |
| 10▲ | Carrier O-Ring | 2 | EPDM |
| 11▲ | Stem O-Ring | 2 | EPDM |
| 13 | Seat Cushion | 2 | EPDM |

DIMENSIONS INCHES

WORKING PRESSURES PSI, Water, Non-Shock

WEIGHT LB.

Cv VALUES

| Size | D Bore | A | H ₁ | H ₂ | L _s | Z _s | l _s | 20°C | 40°C | 50°C | Net Pounds | USGPM Flow at 1 psi ΔP |
|--------|-----------|------|----------------|----------------|----------------|----------------|----------------|------|-------|-------|------------|------------------------------|
| | | | | | | | | 68°F | 104°F | 122°F | | |
| 1/2" | 0.85 | 2.95 | 2.13 | 0.94 | 4.29 | 2.54 | 0.87 | 230 | 165 | 150 | 0.44 | 14.0 |
| 3/4" | 1.06 | 3.15 | 2.44 | 1.18 | 5.08 | 3.08 | 1.00 | 230 | 165 | 150 | 0.66 | 29.0 |
| 1" | 1.32 | 3.15 | 2.68 | 1.38 | 5.75 | 3.50 | 1.13 | 230 | 165 | 150 | 0.88 | 47.0 |
| 1-1/4" | 1.67 | 3.94 | 3.11 | 1.57 | 6.46 | 3.95 | 1.25 | 230 | 165 | 150 | 1.32 | 72.0 |
| 1-1/2" | 1.91 | 4.53 | 3.46 | 1.89 | 7.24 | 4.50 | 1.37 | 230 | 165 | 150 | 1.98 | 155.0 |
| 2" | 2.39 | 5.12 | 4.02 | 2.36 | 8.23 | 5.23 | 1.50 | 230 | 165 | 150 | 3.53 | 190.0 |

ORDERING EXAMPLE

| | | | | | |
|--|-------------------|-------------------|-----------------|---------------------|--|
| Chemline True Union Ball Valves | 26 | A | 020 | E | S |
| Body Material A – PVC | | | | | |
| Size | 005 – 1/2" | 007 – 3/4" | 010 – 1" | 012 – 1-1/4" | 015 – 1-1/2" 020 – 2" |
| Seals | E – EPDM | | | | |
| Ends | S – Socket | | | | |

OPTIONS & ACCESSORIES

- Flanged Ends

Example: Chemline Type 26 True Union Ball Valve, PVC, 2", with EPDM seals, socket ends.