

Type 57 Butterfly Valves

The Chemline Type 57 is the new updated version of the Type 56 Series. The redesigned hand lever no longer has external metal parts. The Type 57 has a redesigned valve "top flange" and shaft, now conforming to ISO for standardized actuator mounting³. These valves offer a large range of sizes and selection of body, disc and seat materials. This allows them into a wide range of on/off or throttling control applications.



Elastomer Seated

SIZES: 1-1/2" – 14"

BODY TYPE: Semi lug Wafer¹

MATERIALS:

Body: PVC, PP, PVDF

Disc: PP (Standard), PVC, PVDF

Seat and O-Rings: EPDM, Viton® (FKM)²

Sizes up to 14"

Updated version of Type 56

Easy Actuator Mounting³



Features

Compact and Light Weight

High Corrosion Resistance

- Solid plastic body – no rust
- Polypropylene lever operators
- Gear operators have plastic housing and stainless steel trim and hardware

Abrasion Resistant

- Solid plastic disc
- PVDF disc available for high abrasion resistance

ISO Actuator Mounting Dimensions³

- "Top flange" and shaft have standard ISO dimensions for easy actuator mounting.

Easily Installed

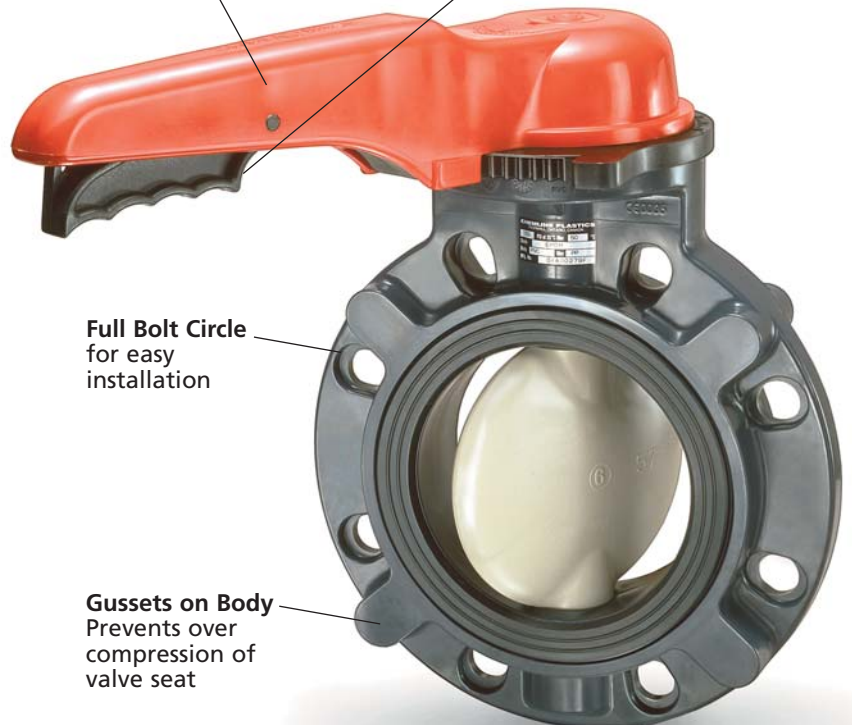
- Full bolt hole circle makes installation and alignment easy
- No gaskets are necessary

Easily Maintained

- Seat is easily replaceable

Polypropylene Hand Lever
Easy to operate
Lockable

PPG Position Lock
Corrosion resistant
Has 19 stops for fine flow control
Resists high torque loads



Full Bolt Circle
for easy
installation

Gussets on Body
Prevents over
compression of
valve seat

¹ Full stainless steel lug bodies are available as an option.

² Other elastomer seats are available.

³ New ISO dimensions.

Type 57 Butterfly Valves



Deluxe Gear Operators

- Available on all valve sizes
- Epoxy coating resists corrosion
- Stainless steel shaft
- All plastic hand wheel with crank



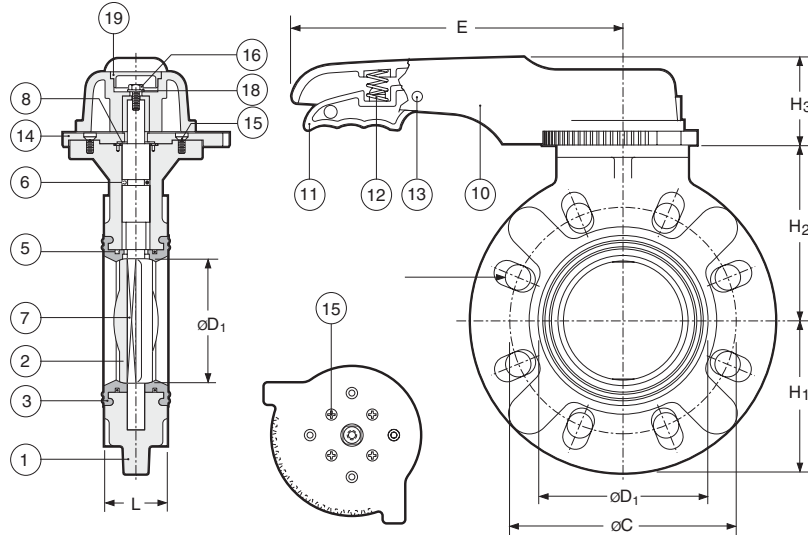
Electrically or Pneumatically Actuated

- Top flange of valve has standard ISO dimensions allowing for easy mounting of actuators

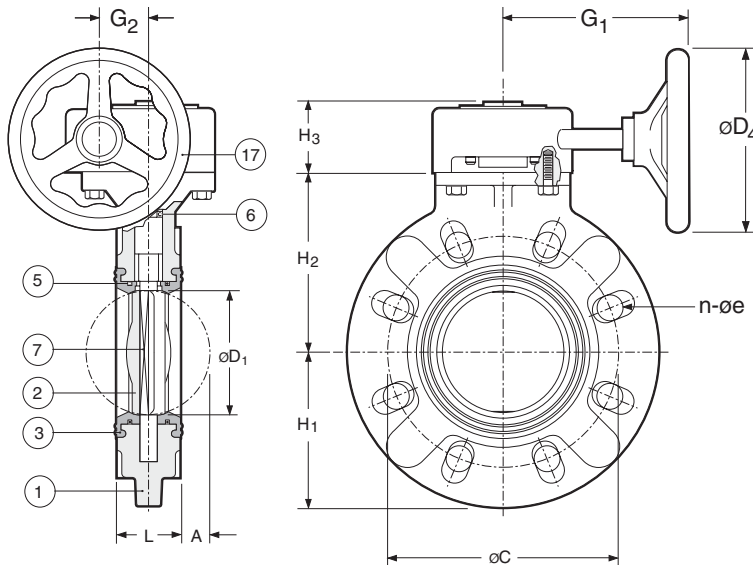
The Shaft Sealing System – Simple But Effective



Type 57 Butterfly Valves



1-1/2" – 8" Lever Operated



8" – 14" Gear Operated

PARTS

▲ Recommended Spare Parts

No.	Part	Pcs.	Materials
1	Body	1	PVC (Standard)
		1	PP (Optional)
		1	PVDF (Optional)
2	Disc	1	PP (Standard)
		1	PVC (Optional)
		1	PVDF (Optional)
3▲	Seat	1	EPDM [†] , Viton®(FKM)
5▲	Stabilizing Ring	2	304 SS
6▲	Shaft O-Ring	1	EPDM [†] , Viton®(FKM)
7	Shaft	1	403 SS
8	Shaft Retainer	1	PP
10	Hand Lever	1	PP
11	Trigger	1	PPG
12	Spring	1	316 SS
13	Pin	1	PPG
14	Position Lock Plate	1	PPG
15	Plate Screw	4	304 SS
16	Hand Lever Bolt	1	304 SS
17	Gear Operator	1	Cast Aluminum Epoxy Coated ^{††}
18	Handle Lever Washer	1	304 SS
19	Hand Lever Cap	1	PPG

† Alternate elastomer seats and O-rings are available.

DIMENSIONS INCHES

Size	L	A	B	C	n	e	D ₁	D ₄	E/G ₁	G ₂	H ₁	H ₂	H ₃
1-1/2"	1.54	0.12	0.87	3.88	4	0.62	1.77	–	8.7	–	3.0	3.9	2.2
2"	1.65	0.28	1.46	4.75	4	0.75	2.20	–	8.7	–	3.3	4.3	2.2
2-1/2"	1.81	0.46	2.03	5.50	4	0.75	2.72	–	8.7	–	3.6	4.7	2.2
3"	1.81	0.61	2.43	6.00	4	0.75	3.03	–	9.8	–	4.2	5.3	2.2
4"	2.20	0.91	3.36	7.50	8	0.75	4.02	–	9.8	–	4.7	5.9	2.2
5"	2.60	1.24	4.36	8.50	8	0.88	5.08	–	12.6	–	5.2	6.6	2.7
6"	2.80	1.56	5.20	9.51	8	0.88	5.91	–	12.6	–	5.6	7.2	2.7
8" Lever	3.43	2.13	6.87	11.75	8	0.88	7.68	–	15.8	–	6.7	8.4	2.7
8" Gear	3.43	2.13	6.87	11.75	8	0.88	7.68	6.3	6.6	2.5	6.7	8.1	3.6
10"	4.41	2.72	8.80	14.25	12	1.00	9.84	6.3	6.6	2.5	8.3	9.5	3.6
12"	5.08	3.43	10.79	17.00	12	1.00	11.93	11.8	9.5	3.9	9.6	11.7	4.3
14"	5.08	4.37	12.85	18.75	12	1.12	13.82	11.8	9.5	3.9	10.6	12.8	4.3

Type 57 Butterfly Valves



WORKING PRESSURES PSI

VACUUM NET RATING WEIGHTS LB.

Size L= Lever G= Gear	PVC Body/PP Disc			PP Body/PP Disc		PVDF Body/PVDF Disc/Viton®				Inches Mercury	Body/Disc		
	0-50°C 32-122°F	60°C 140°F	83°C 181°F	-20-60°C -4-140°F	80°C 176°F	-20-60°C -4-140°F	79°C 175°F	100°C 212°F	121°C 250°F		PVC/ PP	PP/ PP	PVDF/ PVDF
1-1/2"L	150	70	30	150	105	150	105	90	75	29.9	2.9	2.4	3.1
2"L	150	70	30	150	105	150	105	90	75	29.9	3.3	2.7	3.8
2-1/2"L	150	70	30	150	105	150	105	90	75	29.9	3.8	3.1	4.2
3"L	150	70	30	150	105	150	105	90	75	29.9	4.2	3.5	4.9
4"L	150	45	30	150	105	150	105	90	75	29.9	5.5	4.4	6.4
5"L	150	45	30	150	105	150	105	90	75	29.9	10.8	8.8	12.6
6"L	150	45	30	150	105	150	105	90	75	29.9	12.8	10.1	15.2
8"L	150	40	20	150	90	150	90	75	60	29.9	20.5	16.3	24.3
8"G	150	40	20	150	90	150	90	75	60	29.9	23.6	19.6	27.6
10"	150	40	20	150	90	150	90	75	60	29.9	32.4	26.9	41.0
12"	112	30	15	112	60	112	60	45	30	23.6	61.7	52.9	76.1
14"	112	30	7	112	45	112	45	30	15	23.6	66.6	58.0	81.1

C_v VALUES VS. DISC ANGLE

Size	TORQUES						Flange Bolt Torques Foot-Pounds
	15°	30°	45°	60°	75°	90°	
1-1/2"	0	3.6	14.2	30.5	49.7	71.	15
2"	0	6.0	24.	51.6	84.	120.	17
2-1/2"	0	12.5	50.	108.	175.	250.	17
3"	0	15.0	60.	129.	210.	300.	22
4"	0	23.5	94.	202.	329.	470.	22
5"	0	41.5	166.	357.	581.	830.	30
6"	0	55.	220.	473.	770.	1,100.	30
8"	0	125.	500.	1,075.	1,750.	2,500.	41
10"	0	193.	772.	1,660.	2,702.	3,860.	41
12"	0	285.	1,140.	2,451.	3,990.	5,700.	44
14"	0	322.	1,288.	2,769.	4,508.	6,440.	44

OPTIONS & ACCESSORIES

- Alternate Elastomer Seats – Viton® or Nitrile (Buna-N)
- Alternate Discs – PVC, CPVC, PVDF
- Electric or Pneumatically Actuated – Refer to separate data sheets
- Municipal Operating Nut for buried service
- Chain Wheel Operator
- Gear Operator on 1-1/2" – 6"
- Lever Operator on 10"
- Locking Capability
- Shaft Extensions
- Lug Body Inserts – Stainless steel lugs for dead end service
- Limit Switches for open and/or closed position indication

ORDERING EXAMPLE

Chemline Type 57 Butterfly Valve						57	A	060	B	E	L
Body	A - PVC	B - Polypropylene (PP)		K - PVDF							
Size	015 - 1-1/2"	020 - 2"	025 - 2-1/2"	030 - 3"	040 - 4"	050 - 5"					
	060 - 6"	080 - 8"	010 - 10"	012 - 12"	014 - 14"						
Disc	B - PP		K - PVDF		A - PVC						
Seat	E - EPDM		B - Nitrile (Buna-N)		V - Viton® (FKM)						
Operator	L - Hand Lever		G - Gear Operator								

Example: Chemline Type 57 Butterfly Valve, PVC body, 6", with PP disc, EPDM seat, hand lever.