

Type 710 Diaphragm Valves

The Chemline Type 710 Pneumatically Actuated Diaphragm Valve features a plastic piston actuator designed for long cycling life and corrosion resistance. Compared to a 1/2" pneumatically actuated ball valve it is a fraction of the size and cost.

Type 710 is part of the 700 Series of diaphragm valves featuring modular construction which minimizes spare parts requirements. Being a diaphragm valve, it is suitable for sanitary or slurry applications. With a Teflon® diaphragm, it has corrosion resistance superior to a ball valve.

Compact

Low Cost

Long Cycling Life

Features

Pressure rated to 90 psi

- 90 psi at 20°C for all materials

Long Cycling Life

- Valves normally operate well over one million cycles maintenance free.³

Solid Plastic Body & Actuator

- High strength "Ixef"⁴ plastic actuator
- Lightweight
- Corrosion Resistant

Epoxy Coated Spring Steel Springs

- Spring steel springs have longer life and are stronger than stainless steel springs. Epoxy coating resists corrosive environments.

Safety Spring Cartridge

- Contained spring set allows for safe removal of actuator.
- Spring cartridge may be easily reversed to change between Normally Closed and Normally Open functions.

Direct Mount Accessories

- Accessories (travel stop, position indicator, manual override, limit switch box) thread into the top of the actuator and are easily installed in the field.

¹ For ChemFlare™ end connectors, consult Chemline.

² PP and PVDF spigot ends have metric dimensions and will butt fuse directly to Chemline PP and PVDF piping systems. PVC spigots are ANSI.

³ With EPDM or FKM-B (Viton®) diaphragm.

⁴ "Ixef" = Polyarylamine

⁵ Epoxy cured EPDM



CHEMLINE
Plastics Limited

Your Pipeline To Quality

Pneumatically Actuated

BODIES: PVC, CPVC, PP or PVDF

SIZES: 3/8" – 1/2"

ENDS: True Union Socket, Threaded or ChemFlare™¹
Spigot² Bodies with Plain, Socket, Threaded or Flanged ends

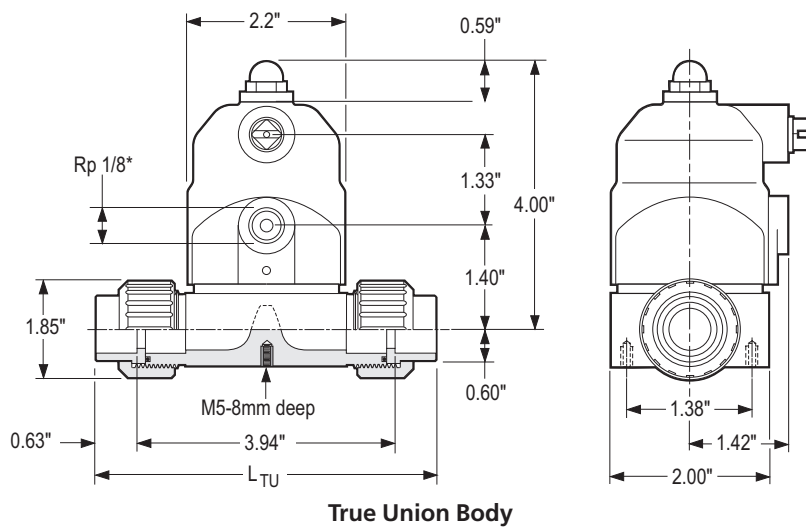
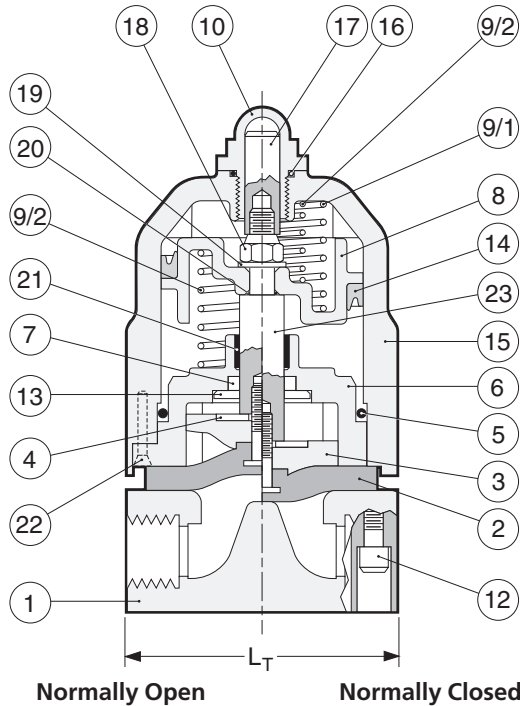
DIAPHRAGMS: EPDM⁵, FKM-B (Viton®) or Teflon®

CONTROL FUNCTIONS:

Normally Closed, Normally Open, or Double Acting



Type 710 Diaphragm Valves



PARTS

No.	Part	Pcs.	Materials
1	Body	1	PVC, CPVC, PP, PVDF
2	Diaphragm	1	EPDM, FKM-B (Viton®), Teflon®
3	Compressor	1	PBTP ¹
4	Thrust Ring	1	Cad. Plated Steel
5	O-Ring	1	Nitrile
6	Guide	1	Ixef ²
7	Quad Ring	1	Nitrile
8	Piston	1	Ixef ²
9x	Spring	1	Epoxy Coated Spring Steel
10	Indicator Cover	1	Polycarbonate
12	Socket Head Bolt	4	304 SS
13	Circle Clip	1	Brass
14	Lip Ring	1	Nitrile
15	Actuator Housing	1	Ixef ²
16	O-Ring	1	Nitrile
17	Position Indicator	1	Polypropylene
18	Lock Nut	1	Cad. Plated Steel
19	Washer	1	Cad. Plated Steel
20	O-Ring	1	Nitrile
21	Shaft Bearing	1	Carbon/Teflon ³
22	Bolt Inserts	2	Steel
23	Stem	1	304 SS

¹PBTP = Polybutylene Terephthalate

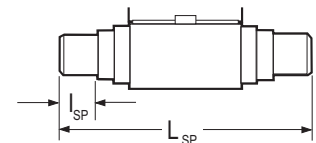
²Ixef = Polyaramide ³25% carbon filled PTFE

DIMENSIONS INCHES

C_v VALUES

Size	Union Soc L _{TU}	Spig L _{SP}	Thd L _T	USGPM at 1 psi ΔP
3/8"	5.12	4.88	2.91	3.3
1/2"	5.12	4.88	2.91	4.1

Spigot Body



*Air connections for all control functions are Rp 1/8 (BSP 1/8") as standard.
Rp 1/4 is available as an option. Air consumption for all sizes is 1.65 cubic inches.

ORDERING EXAMPLE

Chemline Diaphragm Valves	710	NC	005	A	E	U
Control Function	NC – Normally Closed NO – Normally Open DA – Double Acting					
Size	003 – 3/8" 005 – 1/2"					
Body Material	A – PVC B – PP C – CPVC K – PVDF					
Diaphragm	E – EPDM B – Nitrile V – FKM-B (Viton®) P – Teflon® PTFE					
Ends	Blank – Spigot (Butt) T – Threaded U – Union Socket CFx – ChemFlare™					

Example: Chemline Type 710 Pneumatically Actuated Diaphragm Valve.
Normally Closed, 1/2" diameter, PVC body, EPDM diaphragm, socket union ends.
x = 4 for 1/4", 6 for 3/8", 8 for 1/2" ID tube connections.

MINIMUM CONTROL PRESSURES⁴ PSI

Line Pressure	Min. Required Control Pressure	
	Normally Closed	Normally Open
0	62	32
15	60	35
30	57	38
45	56	41
60	53	44
75	51	47
90	48	50

⁴Air or clean water are acceptable control media.

ACCESSORIES

- Travel Stop
- Travel Stop/Position Indicator
- Travel Stop/Position Indicator/Manual Override
- Solenoid Valve
- Limit Switches



55 Guardsman Road, Thornhill, Ontario, Canada, L3T 6L2
Tel: 905-889-7890 request@chemline.com
Fax: 905-889-8553 www.chemline.com

