

# Type 720 Diaphragm Valves

The Chemline Type 720 Manually Operated Diaphragm Valve features compact size a large variety of body materials and end connections. It is much smaller than other 1/2" diaphragm valves.

This is a good throttling valve and is suitable for sanitary or slurry applications. With a Teflon® diaphragm, it has corrosion resistance superior to a ball valve.

When a few manual valves are required on a system using the pneumatically actuated Type 710, the Type 720 is a good choice because the bodies and diaphragms are interchangeable.

## Compact

## All Plastic Construction

### Features

#### Pressure rated to 90 psi

- 90 psi at 20°C for all materials

#### Solid Plastic Body and Actuator

- Light weight
- Corrosion resistant inside and out

#### Excellent for Sanitary Applications

- Self draining
- PVDF and unpigmented PP bodies are approved for food applications
- Sanitary Tri-clamp end connections are available

#### Butt Fusion Ends available

- Spigot bodies are available in 1/2" for direct butt fusion into Chemline PP and PVDF piping systems. All mechanical connections may be eliminated.

#### Adjustable Travel Stop

- Prevents excessive pressure on diaphragm, extending life

#### Sealed Handwheel

- Protects the stem from corrosive atmosphere



**CHEMLINE**  
Plastics Limited

*Your Pipeline To Quality*

## Manual Operation

**BODIES:** PVC, CPVC, PP or PVDF

**SIZES:** 3/8", 1/2"

**ENDS:** True Union Socket, Threaded ChemFlare™<sup>1</sup> or Spigot<sup>2</sup> Bodies

**DIAPHRAGMS:** EPDM<sup>3</sup>, FKM-B (Viton®) or Teflon®



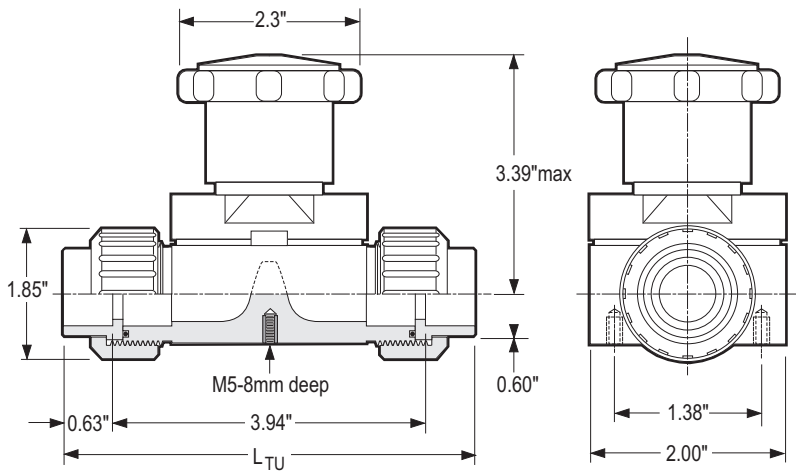
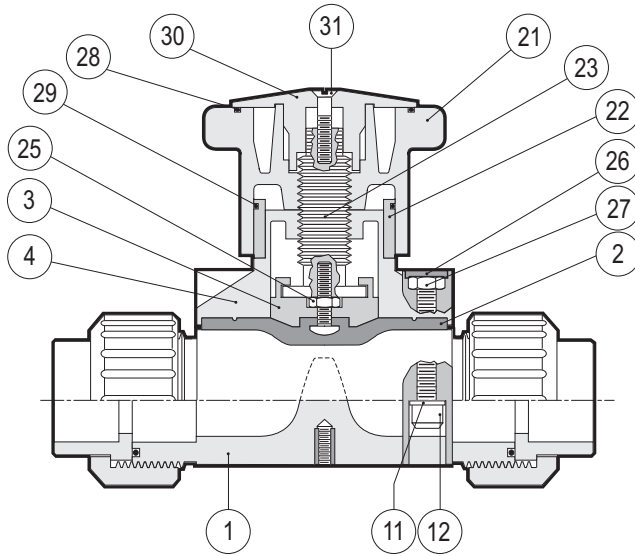
True Union Body

<sup>1</sup> For ChemFlare™ end connectors, consult Chemline.

<sup>2</sup> PP and PVDF spigot ends have metric dimensions and will butt fuse directly to Chemline PP and PVDF piping systems. PVC spigots are ANSI.

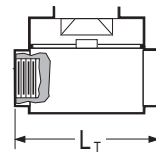
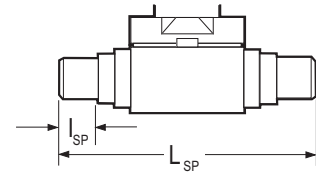
<sup>3</sup> Epoxy cured EPDM

# Type 720 Diaphragm Valves



True Union Body

Spigot Body



Female Threaded Body

## PARTS

▲ Recommended Spare Parts

No.	Part	Pcs.	Materials
1	Body	1	PVC, PP, PVDF CPVC
2▲	Diaphragm	1	EPDM,FKM-B(Viton®), Teflon®
3	Compressor	1	PPS <sup>1</sup>
4	Bonnet	1	PPS <sup>1</sup>
11	Washer	4	304 SS
12	Socket Head Bolt	4	304 SS
21	Handwheel	1	PPS <sup>1</sup>
22	Position Indicator Collar	1	PVDF
23	Stem	1	304 SS
25	Hex Nut	1	304 SS
26	Bolt Cap	4	POM
27	Hex Nut	4	304 SS
28	Handwheel O-Ring (upper)	1	FKM-B (Viton®)
29	Handwheel O-Ring (lower)	1	FKM-B (Viton®)
30	Handwheel Cap	1	PPS <sup>1</sup>
31	Handwheel Screw	1	304 SS

<sup>1</sup> PPS = Polyphenylene sulfide

## DIMENSIONS INCHES

## C<sub>v</sub> VALUES

Size	Union Soc L <sub>TU</sub>	Spig L <sub>SP</sub>	Thd L <sub>T</sub>	USGPM at 1 psi ΔP
3/8"	5.12	4.88	2.91	3.3
1/2"	5.12	4.88	2.91	4.1

## ORDERING EXAMPLE

Chemline Diaphragm Valves	720	005	A	E	U
Size	003 - 3/8"	005 - 1/2"			
Body Material	A - PVC	B - PP	C - CPVC	K - PVDF	
Diaphragm	E - EPDM	B - Nitrile	V - FKM-B (Viton®)	P - Teflon® PTFE	
Ends	Blank - Spigot (Butt)	T - Threaded	U - Union Socket	CFx - ChemFlare™	

Example: Chemline Type 720 Diaphragm Valve, 1/2" PVC body, EPDM diaphragm, Socket Union ends.  
x = 4 for 1/4", 6 for 3/8", 8 for 1/2" ID tube connections.



55 Guardsman Road, Thornhill, Ontario, Canada, L3T 6L2  
Tel: 905-889-7890 request@chemline.com  
Fax: 905-889-8553 www.chemline.com



Your Pipeline To Quality Valves, Piping, Flow Meters and Controls