

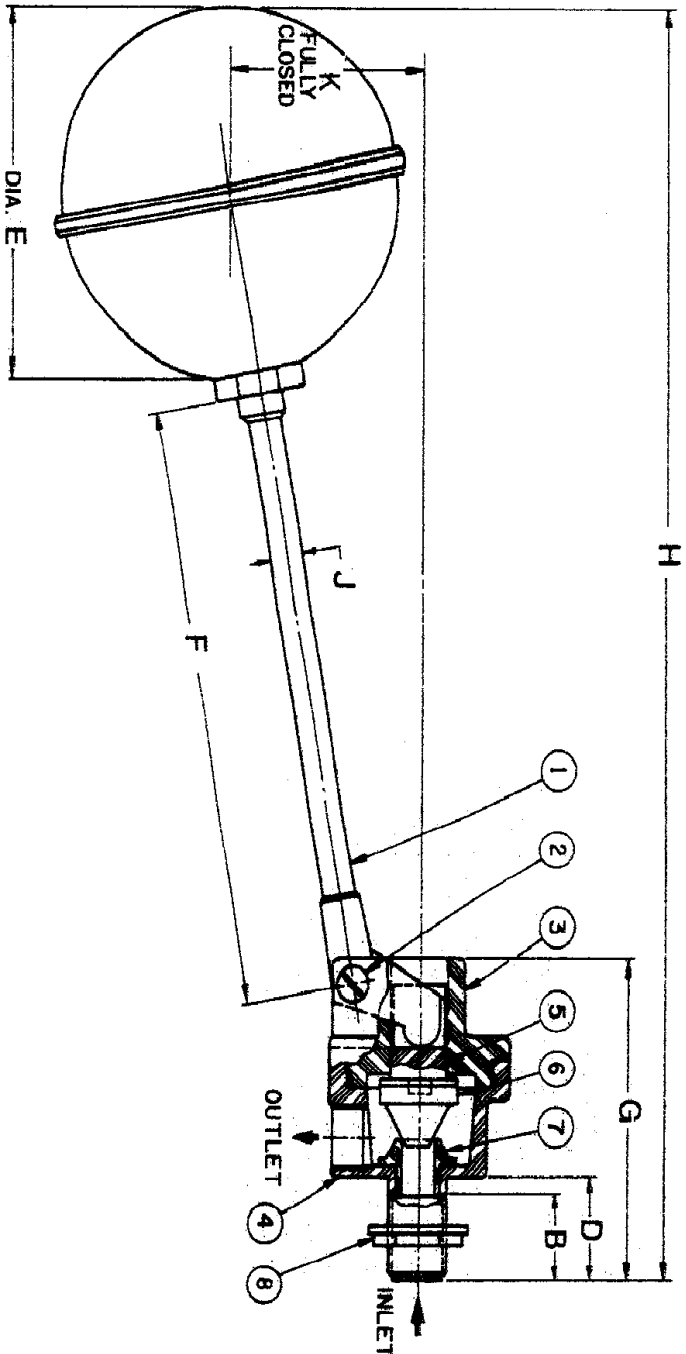
## MAINTENANCE INSTRUCTIONS

### For Chemline Ball Float Valves Sizes 1/2" to 1-1/2"

#### *Maintenance*

Refer to **ASSEMBLY DRAWING BFT1 REV 0**. And proceed as follows:

1. Remove screw (2) from junction of float arm and body.
2. Float arm (1) and ball will release from body as one unit.
3. Separate upper body part A (3) from lower body part B (3). This will reveal the plunger (5).
4. Remove lock nut (8).
5. Plunger (5) can now be removed as one piece.
6. Disc (6) and Seat (7) should also be removed.
7. Inspect all parts especially disc (6) and seat (7) for wear and replace if necessary.
8. To reassemble valve follow steps 1 through 7 in reverse, making sure that the part number hot-stamped part number on the plunger can be seen from the bottom of the valve. This will minimize and direct any overspray from the valve towards the tank.



1	FLOAT/ARM	1	POLYPROPYLENE
2	SCREW	1	POLYPROPYLENE
3	BODY PART 'A'	1	POLYPROPYLENE
4	BODY PART 'B'	1	POLYPROPYLENE
5	PLUNGER	1	POLYPROPYLENE
6	DISC	1	POLYPROPYLENE
7	SEAT	1	POLYPROPYLENE
8	LOCK NUT	1	POLYPROPYLENE

TITLE		SCALE		DATE	
CHEMLINE BALL FLOAT VALVES					
REFERENCE		DR. BY		DWG. NO.	
SIZES 1/2" - 1" - 1-1/2"		CHKD. BY		BFT1	
		APP. BY		REV.	
				0	

**CHEMLINE**  
**PLASTICS**  
**CHEMLINE**