

Type M9.06 ^{new} pH/ORP monitor



The Type M9.06 pH/ORP monitor and controller is designed for a wide range of applications and to work with different kinds of pH and ORP electrodes.

Automatic buffer recognition allows an easy and mistake-proof pH and ORP electrode calibration. A complete choice of input/output options, together with manual and automatic temperature compensation and easy-to-use tutorial software, guarantee customized set-ups for any process to be controlled.

■ Multicoloured Backlit Display

4" full graphic
Update Rate – 1 second
Contrast – User adjustable with 5 levels

■ Output Signals

Item No.	Power Supply	Electrode Input	4–20 mA Output	SPDT Relay Output	SSR Relay Output
M9.06.P1	24 VAC/DC	pH or ORP, Temperature	2	ON-OFF, Prop. pulse, Time Pulse, Off	Same as SPDT
M9.06.W1	24 VAC/DC	pH or ORP, Temperature	2	ON-OFF, Prop. pulse, Time Pulse, Off	Same as SPDT
M9.06.W2	110/230 VAC	pH or ORP, Temperature	2	ON-OFF, Prop. pulse, Time Pulse, Off	Same as SPDT

■ Configurations

Instrument Mounting	Monitor
Panel	M9.06.P1
Wall	M9.06.W1, M9.06.W2

■ Connections to ChemX3 Electrodes

Electrodes

pH Electrodes – All pH sensors in ChemX3 product line
ORP Electrodes – All ORP sensors in ChemX3 product line



Panel
(Standard)



Wall

■ Features

- Configurable for either pH or ORP
- Automatic evaluation of electrode performance
- Automatic recognition of calibration buffer
- Automatic or manual temperature compensation
- Backlit full colour display
- Two programmable relays for external device control
- Programmeable alarms
- Easy to use software
- Removeable terminals
- Output simulator
- Temperature Sensors selectable PT100, PT1000

Type M9.06 pH/ORP monitor



Technical

Supply Voltage:

- 24 VAC/VDC \pm 20% regulated
- 110/230 VAC with M5.02.W2 Wall Mount version

Enclosure:

- ABS case with Polycarbonate display
- NEMA 4, 4X (IP65) front
- 1/4 DIN Size
- Silicone rubber keypad
- Panel and Wall Gasket: silicone rubber

Operating Temperature:

- -20 to 70°C (-4 to 158°F)

4 to 20 mA Output:

- Isolated, fully adjustable and reversible
- Rated Maximum: 800Ω @ 24 VDC - 250Ω @ 12 VDC

2 SPDT Relay Outputs:

- User selectable as ON-OFF, Proportional frequency, Proportional output, Proportional Pulse, Timed Pulse, Off
- Rated max. 5A @ 250 VAC resistive load
- Hysteresis: User selectable

2 SSR Outputs:

- User selectable as ON-OFF, Proportional frequency output, Proportional Pulse, Timed Pulse, Off
- Optically isolated, 50 mA MAX sink, 24 VDC MAX pull-up voltage
- Max pulse/min: 300
- Hysteresis: User selectable

Sensor Input:

Electrical:

- Input Voltage for hold function: 15/30 VAC/DC optically isolated
- Protection Fuse: 150 mA (Regenerate)

pH Monitor:

- Sensor input range: $-2/16$ pH
- Accuracy: ± 0.01 pH

Redox Monitor:

- Sensor input range ± 2000 mV
- Accuracy: 1 mV

Temperature Input Range:

- -50 to 150°C (-58 to 302°F) (with PT100 or PT1000)

Temperature Resolution:

- $0.1^{\circ}\text{C}/^{\circ}\text{F}$ (PT1000); $0.5^{\circ}\text{C}/^{\circ}\text{F}$ (PT100)

Operating Temperature:

- -20 to 70°C (-4 to 158°F)

Storage Temperature:

- -30 to 80°C (-22 to 176°F)

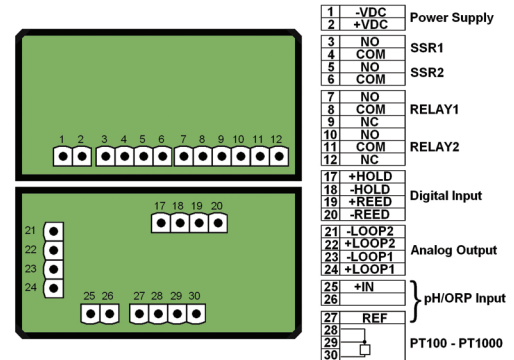
Relative Humidity:

- 0 to 95% non condensing

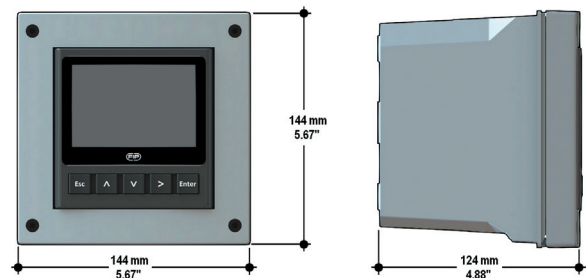
Wiring – Rear Terminal View

(See Instruction Manual for detailed wiring information)

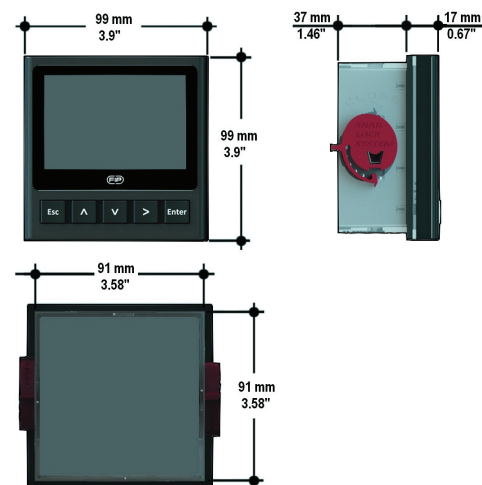
M9.06



Wall Mount Dimensions



Panel Mount Dimensions



The monitor fits into a standard 1/4 DIN (96 mm x 96 mm or 3.78" x 3.78") panel cutout.

Standards + Approvals:

- Manufactured under ISO 9001 (Quality)
- Manufactured under ISO 14000 (Environmental Management)
- CE
- RoHS compliant, GOST R