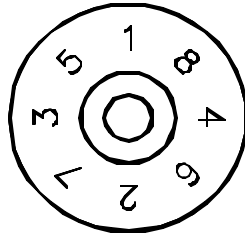


## INSTALLATION AND MAINTENANCE INSTRUCTIONS For Chemline 6" and 8" High Capacity Ball Valves

### *Installation*

When installation valve, tighten bolts with a torque wrench evenly and in a symmetrical pattern as shown in the drawing below.



### *Maintenance*

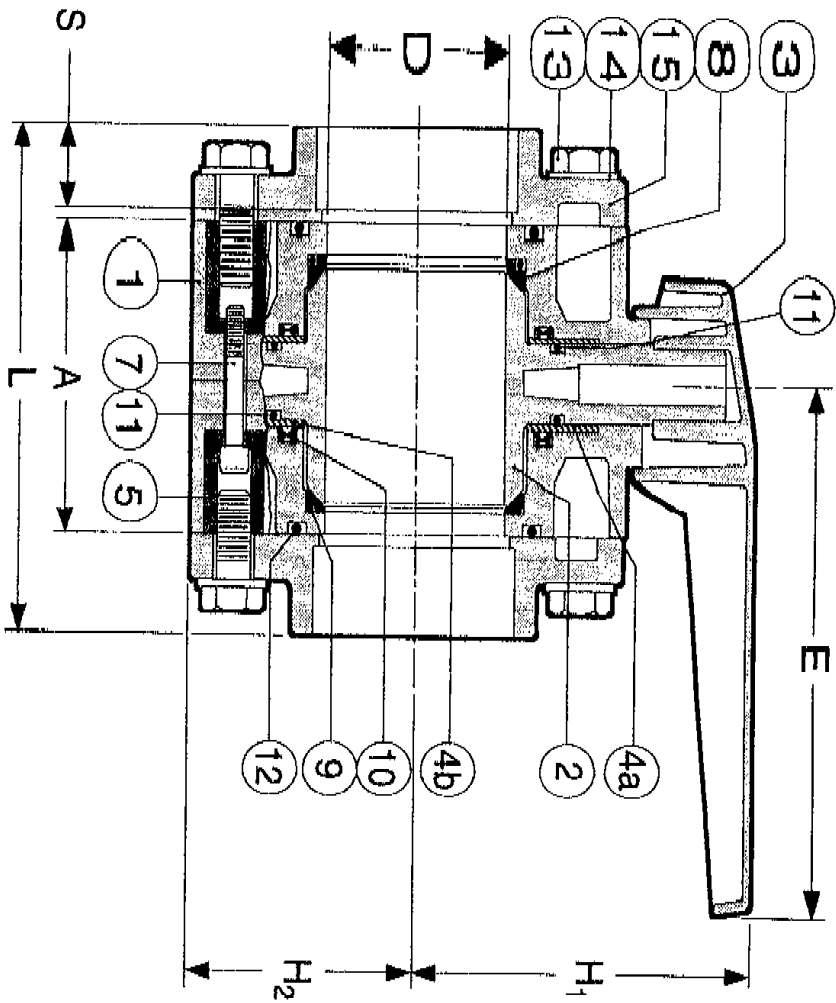
Refer to ASSEMBLY DRAWING HCBV rev 0. And proceed as follows:

1. Loosen upper end piece retainer bolts (13) and washers (14).
2. Remove socket end pieces (15).
3. Remove handle (3).
4. Loosen lower end piece retainer bolts (13) and washers (14).
5. Remove body retainer bolt (7) and hex retainer lugs (5).

---

**Installation and Maintenance High Capacity Ball Valves cont.**

6. Remove and inspect stem bearing (4a) and trunion bearing (4b).
7. Remove and inspect body and stem seal (10).
8. Remove and inspect ball seat (8)
9. Remove and inspect stem and trunion o-rings (11).
10. Remove and inspect seat cushions (9).
11. Remove and inspect body face o-rings (12).
12. Remove and inspect ball stem unit (2).
13. Replace o-rings (11) and (12), seal (10) and seat cushion (9) if required.
14. Lubricate stem o-ring (11) with Dow Corning III Silicone compound or equivalent.
15. Replace any worn or abraded parts.
16. To re-assemble valve, repeat steps 1 through 12 in reverse.



1	SPLIT BODY	2	PVC, PP, PVDF
2	BALL STEM UNIT	1	PVC, PP, PVDF
3	HANDLE	1	PVC
4a	STEM BEARING	1	TEFLON, PTFE
4b	TRUNION BEARING	1	TEFLON, PTFE
5	HEX RETAINER LUG	8	SS304
7	BODY RETAINER BOLT	8	SS304
8	BALL SEAT	2	TEFLON, PTFE
9	SEAT CUSHION	2	EPDM, VITON
10	BODY & STEM SEAL	1	EPDM, VITON
11	STEM/TRUNION O-RING	2	EPDM, VITON
12	BODY FACE O-RING	2	EPDM, VITON
13	END PIECE RET. BOLT	16	SS304
14	WASHER	14	SS304
15	SOCKET END PIECE	2	PVC, PP, PVDF

TITLE		SCALE	DATE	CHEMLINE PLASTICS		REV.
CHEMLINE HIGH CAPACITY BALL VALVES				CHEMLINE		0
REFERENCE		DR. BY		DWG. NO.	HCBV	
SIZE 6" - 8"		CHKD. BY				
		APP. BY				