

LA Series Lab Cocks



PVDF

SERIES: LA

SIZES: 1/4"

ENDS: Male Thread x Female Thread

SEALS: FKM (Viton®)

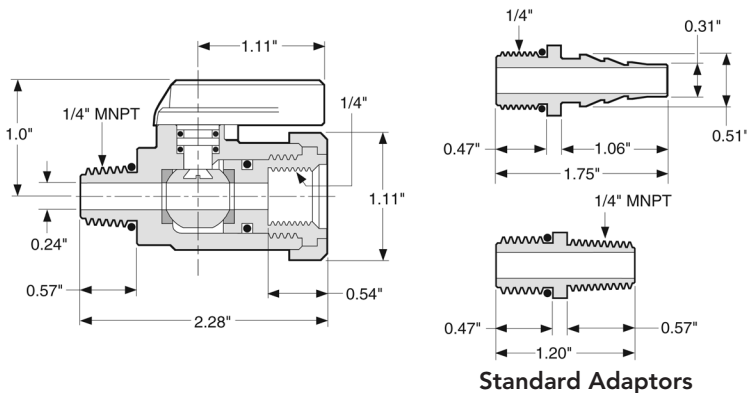


Male Adaptor

Safety Plug

Hose Adaptor

Lockout



Chemline LA Series Lab Cocks feature PTFE seats, FKM (Viton®) o-ring seals and full 1/4" port. All parts are replaceable. The basic valve is male thread by female thread. Included with each valve are adaptors, plug, O-ring, strap and lockout (see photo) to provide a variety of end connections. An eyelet is provided for easy valve tagging.

Features

- **Adaptors Included**
- **1/4" Full Port** – Low pressure drop
- **Adaptors Included** – The valve along with adaptors provide for several end connections:
 - Male Thread x Female Thread
 - Male Thread x Male Thread
 - Male Thread x Hose Barb
- **Optional Adaptor** – Optional female threaded hose adaptor allows for more configurations:
 - Hose Barb x Hose Barb
 - Hose Barb x Female Thread
- **Safety Plug with Strap**
 - A safety plug attached to the valve with a strap is included
- **Lockout Device**
 - Handle lockout device for the closed position is included

WORKING PRESSURES PSI

| Material | 0-40°C 32-104°F | 60°C 140°F | 80°C 176°F | 100°C 212°F | 120°C 248°F |
|----------|--------------------|---------------|---------------|----------------|----------------|
| PVC | 150 | 30 | – | – | – |
| PVDF | 150 | 90 | 75 | 60 | 35 |

Temperature Ranges: PVC 0 to 60°C (32 to 140°F),
PVDF -40 to 120°C (-40 to 248°F)

Cv VALUE VS. OPENING

| Opening | 25% | 50% | 75% | 100% |
|----------------------|------|------|------|------|
| C _v Value | 0.31 | 0.62 | 0.92 | 1.23 |

VACUUM RATING

- 29.9 inches mercury