

LC Series Lab Cocks



SERIES: LC

SIZES: 1/4"

ENDS: Male Threaded, Female Threaded, Male Thread x Hose, Hose x Hose, Male Thread x Female Thread, Female Thread x Hose, Male Thread x 90° Elbow

SEALS: EPDM or FKM (Viton®) Seats & Stem O-Ring



Male Threaded



Female Threaded



Male Thread x Hose



Hose x Hose



Male Thread x Female Thread



Female Thread x Hose



Male Thread x 90° Elbow



WORKING PRESSURES VS. TEMPERATURE

- 150 psi at 0 to 50°C (30 to 120°F)
- 15 psi at 60°C (140°F) maximum

VACUUM RATING

- 29.9 inches mercury

Chemline LC Series Lab Cocks are rugged quarter turn mini ball valves. They are ideal for general use in instrumentation lines, available at a fraction of the cost of comparable stainless steel valves. Other applications include air lines for aquaculture, for venting gas in pipe lines, process sampling and laboratory use.

Features

- **Low Cost**
- **Heavy Stems** – Rugged construction
- **1/4" Full Bore** – Low pressure drop
- **Graduation Marks** – For flow control

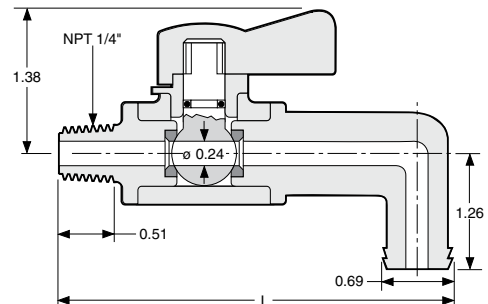
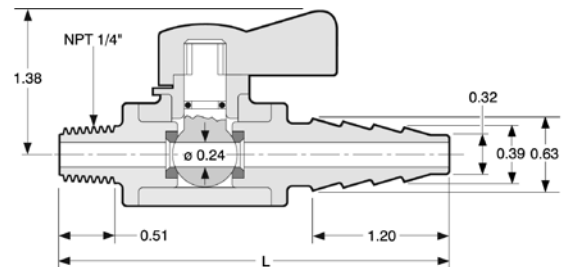
DIMENSIONS INCHES

| Item No. | Ends | L |
|----------|---------------------------------|------|
| LCTHx | 1/4" Male Thread x 3/8" ID Hose | 3.48 |
| LCFTx | 1/4" Female Threaded | 2.80 |
| LCMTx | 1/4" Male Threaded | 2.60 |
| LCHHx | 3/8" ID Hose x Hose | 4.37 |
| LCFHx | 1/4" Female Thread x Hose | 3.58 |
| LCMFx | 1/4" Male x Female Thread | 2.70 |
| LCMEx | 1/4" Male Thread x 90° Elbow | 3.66 |

x Denotes either E for EPDM seals or V for FKM (Viton®) seals

Cv VALUE VS. OPENING

| Graduation Mark | 1 | 2 | 3 | 4 |
|----------------------|------|------|------|------|
| C _v Value | 0.20 | 0.37 | 0.83 | 1.65 |



1 ENDS AVAILABLE SPECIAL ORDER

- 1/4" or 3/8" Female Thread x Hose
- Male Thread x Female Thread – 1/4" x 1/4", 1/4" x 3/8", 1/2" x 1/4" or 1/2" x 3/8"
- 1/2" Male Thread x Hose
- Female Threaded – 1/4" x 3/8", 3/8" x 3/8"
- Male Threaded – 1/4" x 1/2", 1/2" x 1/2"

²PVC valves with EPDM or FKM (Viton®) seals are certified under NSF/ANSI Standard 61 for contact with drinking water.

02/20 ©Chemline Plastics Limited 2020
Chemline is a registered trade mark of Chemline Plastics Limited

