

# Type 27 Compact Industrial Ball Valves



SERIES: Type 27

SIZES: 3/8" – 2"

ENDS: Threaded, Socket

SEATS: PTFE

SEALS: EPDM



Chemline Type 27 Compact Industrial Ball Valves are manufactured to the same high quality standards to the Type 21 True Union ball valve. They are used on applications where union end valves are not necessary or desired such as drain valves for tanks. They are also lower cost and more compact.

## Features

- Low Cost & Rugged
- 2-Way Blocking

### All PVC or all CPVC Construction

- Handles are colour coded red for PVC, blue for CPVC

### High Chemical Resistance

- The PVC as well as CPVC compounds for these valves have an "A" chemical resistance rating<sup>2</sup> – superior to competition

### Full Port

- Low pressure loss

### Low Stem Torques

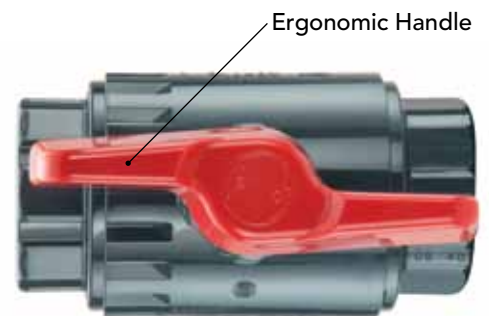
- Due to floating ball design and cushioned PTFE seats

### Compact

- Space saving, low profile

### Unibody sealed carrier construction

- Short face-to-face dimension
- Double stem O-rings
- Ergonomic handle design
- Full vacuum service rating
- ISO top flange for actuation mounting

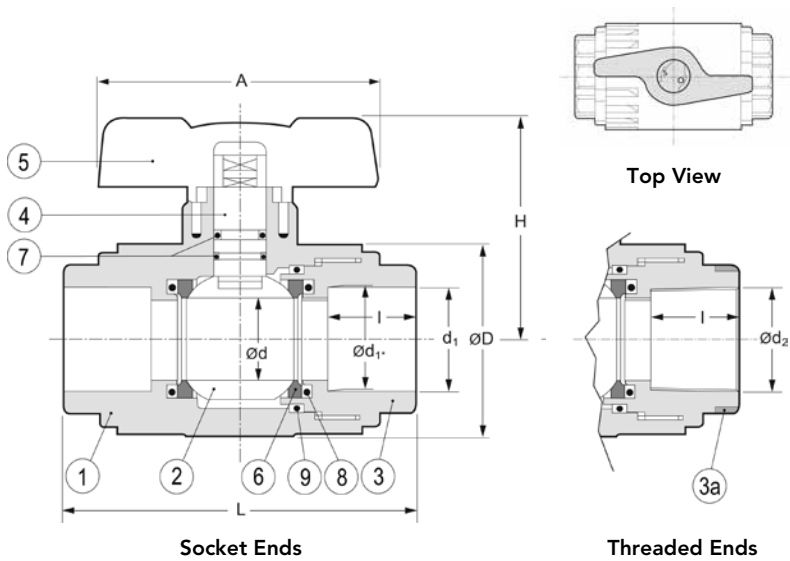


Top View

<sup>1</sup> PVC valves with EPDM seal are certified under NSF/ANSI Standard 61 for contact with drinking water.

<sup>2</sup> Designation for chemical resistance as per ASTM D-1784.

# Type 27 Compact Industrial Ball Valves



## PARTS

No.	Part <sup>1</sup>	Pcs.	Materials
1	Body	1	PVC, CPVC
2	Ball	1	PVC, CPVC
3	End Connector	1	PVC, CPVC
3a	End Connector Ring <sup>2</sup>	2	304 SS
4	Stem	1	PVC, CPVC
5	Handle	1	ABS
6	Seat	2	PTFE
7	Stem O-Ring	2	EPDM
8	Seat Cushion	2	EPDM
9	Carrier O-Ring	1	EPDM

<sup>1</sup> Parts for identification only and cannot be replaced

<sup>2</sup> Used for CPVC threaded valves 3/8" to 1"

## DIMENSIONS INCHES

Size	Socket			Threaded		L	d	A	D	H
	d <sub>1</sub>	d <sub>1*</sub>	l	d <sub>2</sub>	l					
3/8"	0.687	0.671	0.59	3/8-18 NPT	0.59	2.72	0.59	2.95	1.57	2.07
1/2"	0.848	0.836	0.69	1/2-14 NPT	0.59	3.11	0.59	2.95	1.57	2.07
3/4"	1.058	1.046	0.72	3/4-14 NPT	0.67	3.70	0.79	3.43	1.93	2.46
1"	1.325	1.310	0.87	1-11-1/2 NPT	0.79	4.25	0.98	3.43	2.28	2.74
1-1/4"	1.670	1.655	0.94	1-1/4-11-1/2	0.87	4.76	1.22	4.13	2.68	3.21
1-1/2"	1.912	1.894	1.09	1-1/2-11-1/2	0.98	5.75	1.57	5.31	3.25	3.78
2"	2.387	2.369	1.16	2-11-1/2	1.10	6.86	2.01	5.31	4.09	4.23

d<sub>1\*</sub> is the ID of the bottom of the socket connector

d<sub>1</sub> is the ID of the end of the socket connector

## WORKING PRESSURES PSI

Size	PVC		CPVC			NET WEIGHTS LB.		USGPM Flow at 1 psi ΔP
	0-50°C 68-122°F	0-50°C 68-122°F	60°C 140°F	80°C 176°F	90°C 194°F	PVC	CPVC	
3/8"	150	150	120	90	60	0.3	0.3	7.7
1/2"	150	150	120	90	60	0.3	0.3	14.0
3/4"	150	150	120	90	60	0.4	0.5	29.0
1"	150	150	120	90	60	0.7	0.8	47.0
1-1/4"	150	150	120	90	60	0.9	1.0	72.0
1-1/2"	150	150	120	90	60	1.2	1.3	155.0
2"	150	150	120	90	60	2.0	2.1	190.0

Temperature Ranges: PVC -0 to 60°C (32 to 140°F), CPVC -0 to 95°C (32 to 203°F)

## Cv VALUES

# Type 27 Compact Industrial Ball Valves



## SAMPLE SPECIFICATION – PVC or CPVC

All Ball Valves (to 2") are to be Chemline Type 27 Compact or equal PVC or CPVC with EPDM double stem O-rings, PTFE seats with EPDM cushions, and free floating ball. PVC compound will have cell classification 12454-A and CPVC will have 23567A with minimum "A" suffix designation for chemical resistance as per ASTM D-1784.

Valves shall be one piece construction with 2-way blocking capability, and have elastomeric backing cushions behind the PTFE seats for low stem torque and to compensate for wear.

End connections shall be either socket or threaded.

Valves shall be certified under NSF/ANSI Standard 61 for contact for drinking water.

Valves shall accept the installation of a moulded ISO top mounting for actuation mounting.

## ORDERING EXAMPLE

<b>Chemline Type 27 Compact Industrial Ball Valves</b>		<b>27</b>	<b>A</b>	<b>020</b>	<b>T</b>
Valve Material	<b>A – PVC</b>	<b>C – CPVC</b>			
Size	<b>003 – 3/8"</b>	<b>005 – 1/2"</b>	<b>007 – 3/4"</b>	<b>010 – 1"</b>	
	<b>012 – 1-1/4"</b>	<b>015 – 1-1/2"</b>	<b>020 – 2"</b>		
Ends	<b>S – Socket</b>	<b>T – Threaded</b>			

**Example:** Chemline Type 27 Compact Industrial Ball Valve, PVC, 2", EPDM seals, threaded ends.

## VACUUM RATING

- 29.9 inches mercury

## OPTIONS & ACCESSORIES

- Flanged Ends