

XCB Series Elastomer Seated Butterfly Valves

XL LINE™

PVC

SERIES: XCB

SIZES: 3" – 8"

MATERIALS: Body: PVC
Disc: PVC

SEAT & O-RINGS: EPDM



XL Line™ XCB Series elastomer seated butterfly brings quality together with low pricing in a plastic valve for **swimming pool and light industrial applications**. The XCB PVC butterfly valve is competitively priced for applications such as chilled water and fish hatcheries, etc. With the Type XCB it is now possible to justify plastic valves instead of metal on all PVC piping systems. This may be done without compromising on valve quality.

Features

Compact and Light Weight

Easy Installation and Maintenance

Full Seat Design

- No flange gaskets are required
- Low seating torques for easy operation

Corrosion Resistant Inside and Outside

- Shaft is not wetted
- Body and disc are of PVC Type I, cell classification 12454

Bubble Tight Closure

- 150 psi rated 3" to 6", 100 psi rated for 8"

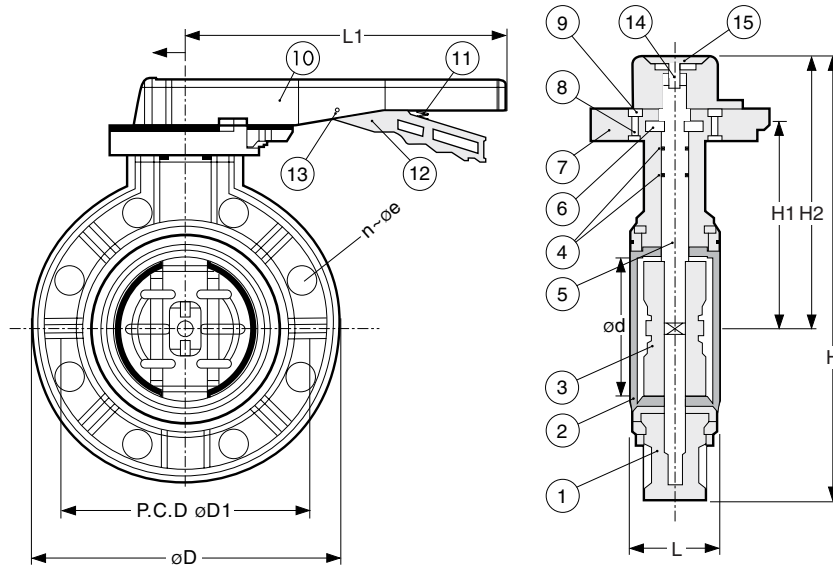
Easily Maintained

- Seat is easily replaceable

Impact resistant ABS handle with position indicator

ANSI B16.5 class and DIN flange pattern

Type XCB PVC Butterfly Valves



PARTS

No.	Part	Pcs.	Materials
1	Body	1	PVC
2	Seat Seal	1	EPDM
3	Disc	1	PVC
4	Stem O-Ring	2	EPDM
5	Stem	1	304 SS
6	Bearing	1	ABS
7	Index Plate	1	ABS
8	Screw	2	Stainless Steel
9	Cap	2	ABS
10	Handle	1	ABS
11	Spring	1	304 SS
12	Lever	1	ABS
13	Set Pin	1	Steel
14	Bolt	1	Steel
15	Cap	1	ABS

DIMENSIONS MM

ANSI	3"	4"	6"	8"
DIN	80	100	160	200
PCD ANSI	152	191	241	298
PCD DIN	160	180	240	295
PCD BS 4504 PN6	150	170	225	280
ØD	196	228	287	344
Ød	78	98	151	199
L	49	54	70	88
L1	240	240	310	310
W	55	55	72	72
H1	120	140	181	215
H2	172	194	239	280
H	270	308	382	452
n - Øe ANSI	4-19	8-19	8-23	8-23
n - Øe DIN	8-19	8-19	8-23	8-23

DIMENSIONS INCHES

ANSI	3"	4"	6"	8"
DIN	80	100	160	200
PCD ANSI	5.98	7.52	9.49	11.73
PCD DIN	6.30	7.09	9.45	11.61
PCD BS 4504 PN6	5.91	6.69	8.86	11.02
ØD	7.72	8.98	11.30	13.54
Ød	3.07	3.86	5.94	7.83
L	1.93	2.13	2.76	3.46
L1	9.45	9.45	12.20	12.20
W	2.17	2.17	2.83	2.83
H1	4.72	5.51	7.13	8.46
H2	6.77	7.64	9.41	11.02
H	10.63	12.13	15.04	17.80
n - Øe ANSI	4-0.748	8-0.748	8-0.906	8-0.906
n - Øe DIN	8-0.748	8-0.748	8-0.906	8-0.906

TEMP./PRESSURE DERATING

°C	°F	PVC
23	73	1.00
27	80	0.88
32	90	0.75
38	100	0.62
43	110	0.50
49	120	0.40
54	130	0.30
60	140	0.22
66	150	NR

WORKING PRESSURE

Size	PSI ¹
3"	150
4"	150
6"	150
8"	150

¹ PSI at 23°C (73°F)

Cv VALUES VS. DISC ANGLE

Size	15°	30°	45°	60°	75°	Full Open Position
3"	4	15	60	160	210	300
4"	7	24	94	220	329	470
6"	18	55	220	540	770	1,100
8"	90	125	500	1,400	1,750	2,500

ORDERING EXAMPLE

XL Line™ XCB Series PVC Butterfly Valves					XCB	060	A	E	L
Size	020 - 2"	030 - 3"	040 - 4"	060 - 6"	080 - 8"				
Disc	A - PVC								
Seat	E - EPDM								
Operator	L - Hand Lever								

Example: XL Line™ Type XCB PVC Butterfly Valve, 6", with PVC disc, EPDM seat, hand lever.