

## MAINTENANCE INSTRUCTIONS

### For Chemline XL Series Foot, Ball Check and Air Release Valves 1/2" to 3"

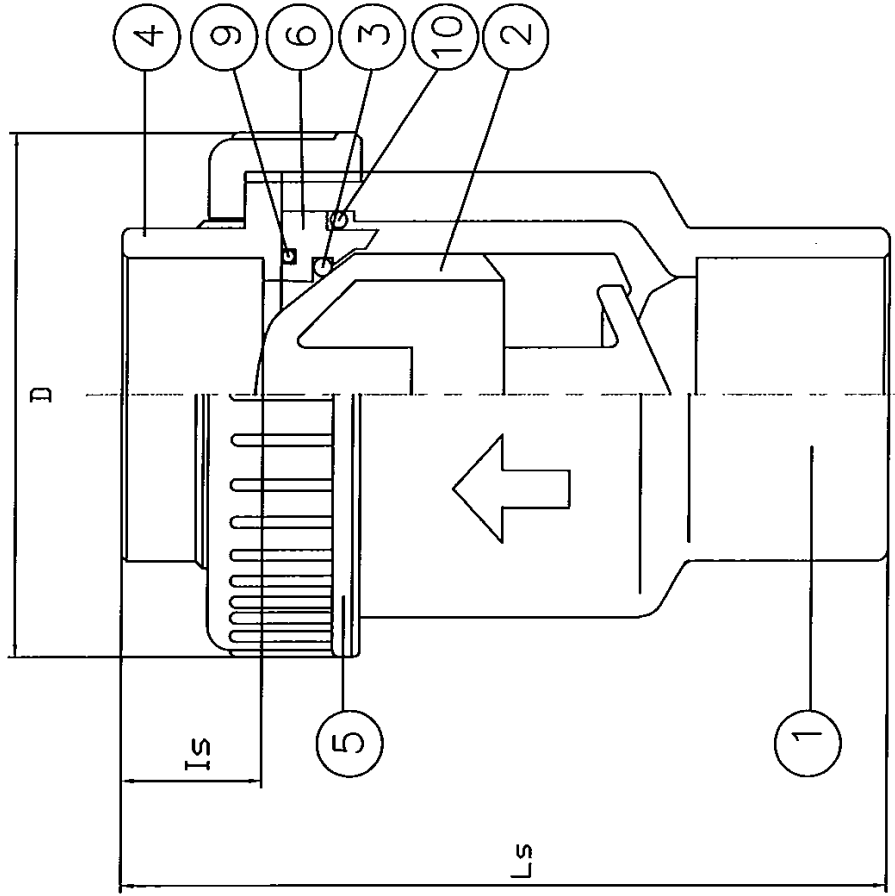
#### ***Maintenance***

Refer to drawings [APR-957](#) and [APR-958](#), and proceed as follows:

1. Make sure there is no pressure in line prior to removing valve. Loosen union nut (5) and remove valve from line.
2. **Important** Hold seat carrier (6) and face o-ring (9) in place while removing valve, as the seat carrier (6), seat o-ring (3), face o-ring (9), carrier o-ring (10) and the float/disc (2) may fall out.
3. Remove seat carrier (6), carrier o-ring (10) and float/disc (2). Inspect for excessive wear and any foreign debris that may have become lodged in the valve. The float/disc (2) should not show signs of wear or deformation.
4. When re-installing float/disc (2), carrier o-ring (10) and seat carrier (6), check for fit of parts.
5. Replace union nut (5) and tighten.
6. For Foot Valves with strainer baskets, remove basket (7) and clean thoroughly.

#### ***Installation***

1. Check valve installation can be horizontal, vertical or a combination of both.
2. Foot valve installation must be vertical with the basket (7) at the bottom and with the spring (8) removed.
3. Air Release valve installation must be vertical and at the highest point in the line with the union nut (5) at the top and with the spring (8) removed.



No.	DESCRIPTION	MATERIAL	No REQD	REMARKS
10	CARRIER O-RING	EPDM, Viton	1	
9	FACE O-RING	EPDM, Viton	1	
6	SEAT CARRIER	PVC	1	
5	UNION NUT	PVC	1	
4	END CONNECTOR	PVC	1	
3	SEAT O-RING	EPDM, Viton	1	
2	FLOAT	PVC	1	
1	BODY	PVC	1	

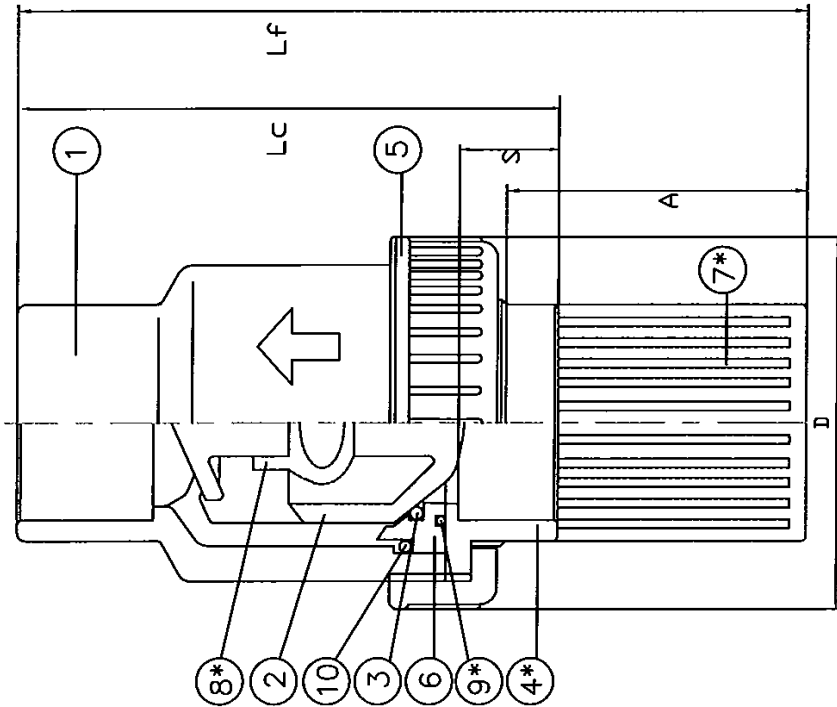
DIMENSIONS TABLE UNIT: inches

NOMINAL SIZE	Socket			Threaded		
	D	Ls	Is	Lt	It	
15 1/2	2.0	3.54	0.89	3.03	0.63	
20 3/4	2.3	3.98	1.00	3.46	0.75	
25 1	2.7	4.38	1.13	3.86	0.87	
32 1 1/4	3.2	5.04	1.26	4.41	0.94	
40 1 1/2	3.7	5.67	1.38	4.80	0.94	
50 2	4.5	6.51	1.50	5.71	1.10	
65 2 1/2	6.6	7.72	1.75	6.81	1.30	
75 3	6.6	9.13	2.00	7.95	1.42	

TITLE		SCALE	NTS	DATE	CHEMLINE	
Approval drawing - XL Air Release (Venting) Valve		DR. BY	PJ	08/04	PLASTICS	
REFERENCE		CHKD. BY			DWG. NO	REV.
		APP. BY			APR-957	0

DIMENSIONS TABLE UNIT: inches

NOMINAL SIZE	D	S		Check Valve		Foot Valve			
		(Soc)	(Thd)	Lc	(Thd)	Lf	(Thd)	Screen Slot Width	
15 1/2	2.0	0.89	0.63	3.54	3.03	1.7	4.82	4.57	0.08
20 3/4	2.3	1.00	0.75	3.98	3.46	2.0	5.53	5.28	0.09
25 1	2.7	1.13	0.87	4.38	3.86	2.3	6.09	5.83	0.10
32 1 1/4	3.2	1.26	0.94	5.04	4.41	2.5	6.89	6.57	0.11
40 1 1/2	3.7	1.38	0.94	5.67	4.80	2.8	7.76	7.32	0.12
50 2	4.5	1.50	1.10	6.51	5.71	3.0	8.71	8.31	0.12
65 2 1/2	6.6	1.75	1.30	7.72	6.81	3.2	10.10	9.65	0.16
75 3	6.6	2.00	1.42	9.13	7.95	3.2	11.26	10.67	0.16



No.	DESCRIPTION	MATERIAL	QTY	REMARKS
10	CARRIER O-RING	EPDM	1	
9*	FACE O-RING	EPDM	1	Check Valve Only
8*	SPRING	EPDM	1	Check Valve Only
7*	FOOT VALVE SCREEN	PP	1	Foot Valve Only
6	SEAT CARRIER	PVC	1	
5	UNION NUT	PVC	1	
4*	END CONNECTOR	PVC	1	Check Valve Only
3	SEAT O-RING	EPDM	1	
2	DISC	PVC	1	
1	BODY	PVC	1	

TITLE	Approval drawing - XLC/XLF		SCALE	NTS	DATE	CHEMLINE
	Check and Foot Valve					
REFERENCE			CHKD. BY			DWG. NO
			APP. BY			APR-958
						REV.
						0