

XW Series Water Ball Valves

XLLine™

PVC

NSF¹
Certified to NSF/ANSI 61

SERIES: XW

SIZES: 1/2" – 4"

ENDS: Socket, Threaded

SEALS: EPDM

SEATS: PE



The XL Line™ XW Series PVC True Union "Water" Ball valves are general purpose commercial valves designed for water, pool and irrigation services. The "True Union" body makes installation fast and maintenance convenient.

Features

230 psi Working Pressure

- 230 psi for 1/2" to 2" valves
- 150 psi for 2-1/2" to 4" valves

True Union Design

- Installation and maintenance is fast and inexpensive
- Valves may be rotated 360° to position handle

Fully Blocking

- Downstream union nut may be safely disassembled for piping maintenance while valve is closed off under full system pressure

PE Seats

- PE seats provide tight sealing, smooth operation and low stem torques

Double Stem O-Rings

- Reduces the possibility of stem leakage

Full Port

- Low pressure losses

Built-in Spanner Wrench

- For removing or tightening the seat carrier

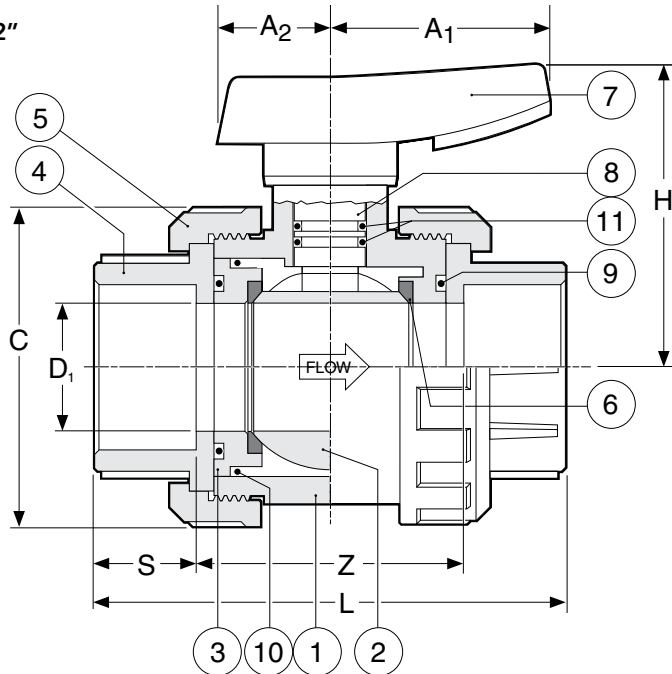


¹PVC valves with EPDM or FKM (Viton®) seals are certified under NSF/ANSI Standard 61 for contact with drinking water.

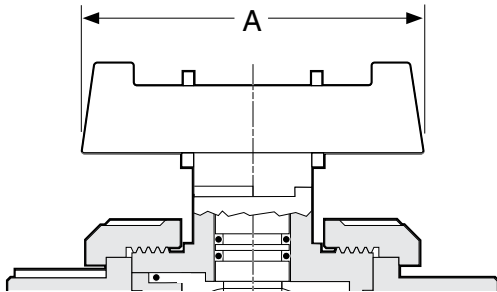
XW True Union Ball Valves



1/2" to 2"



2- 1/2" to 4"



PARTS

▲ Recommended Spare Parts

No.	Part	Pcs.	Materials
1	Body	1	PVC
2	Ball	1	PVC
3	Seat Carrier	1	PVC
4	End Connector	2	PVC
5	Union Nut	2	PVC
6▲	Ball Seat	2	PE
7	Handle	1	ABS
8	Stem	1	PVC
9▲	Face O-Ring	2	EPDM
10▲	Carrier O-Ring	2	EPDM
11▲	Stem O-Ring	2	EPDM

NET WEIGHTS LB.

Cv VALUES

Size	Socket Valves	USGPM@1 psi Pressure Drop
1/2"	0.31	13
3/4"	0.44	26
1"	0.66	49
1-1/4"	0.99	69
1-1/2"	1.52	118
2"	2.53	222
2-1/2"	6.71	347
3"	7.04	486
4"	11.88	694

DIMENSIONS INCHES

WORKING PRESSURES PSI

Size	A ₁	A ₂	A	C	D	H	L _S Socket	L _T Thd	L _F Flanged	S Socket	Laying Length Z	Working Pressures (PSI)		
												0-25°C 32-77°F	40°C 104°F	60°C 140°F
1/2"	1.75	0.76	-	1.97	0.57	1.92	3.61	3.08	5.78	0.87	1.81	230	150	45
3/4"	1.93	0.88	-	2.32	0.78	2.21	4.13	3.58	6.72	1.00	2.05	230	150	45
1"	1.78	1.19	-	2.68	0.98	2.49	4.79	4.17	7.31	1.12	2.36	230	150	45
1-1/4"	2.77	1.20	-	3.15	1.25	2.93	5.21	4.76	8.12	1.25	2.68	230	150	45
1-1/2"	2.91	1.54	-	3.70	1.57	3.42	5.97	5.63	9.30	1.37	3.07	230	150	45
2"	3.36	1.53	-	4.53	1.97	3.80	6.69	6.65	10.44	1.50	3.66	230	150	45
2-1/2"	-	-	6.64	5.71	2.56	5.43	9.00	8.96	12.32	1.75	5.47	150	100	45
3"	-	-	6.64	5.71	2.82	5.43	9.23	9.49	13.65	1.87	5.47	150	100	45
4"	-	-	8.03	8.27	3.76	6.54	11.11	10.86	16.37	2.25	6.30	150	100	45

Maximum Temp. 60°C (140°F)

ORDERING EXAMPLE

XL Line™ XW PVC True Union Ball Valve	XW	A	020	E	S
Material A – PVC					
Size 005 – 1/2" 007 – 3/4" 010 – 1" 012 – 1-1/4" 015 – 1-1/2" 020 – 2" 025 – 2-1/2" 030 – 3" 040 – 4"					
Seals E – EPDM					
Ends S – Socket T – Threaded					

Example: XL Line™ XW Series PVC True Union Ball Valve, 2", with EPDM O-rings, socket ends.