

XLC Check & XLF Foot Valves



PVC

SERIES: Type XLC & XLF

SIZES: 1/2" to 3"

ENDS: Socket, Threaded, Flanged

SEALS: EPDM, FPM (Viton®)



Chemline **Type XLC** PVC True Union Check valve has a PTFE covered stainless steel spring for positive closure. No seating head is required. The XLC valve offers high quality at a value price.

Features

No Seating Head Required

- PTFE covered stainless steel spring allows for installation anywhere in the piping system. No seating head is required for positive closure.

True Union Design

- Easy installation and maintenance



XLF Foot Valve

- Has a heavy duty self cleaning PP screen

Type XLC Check & XLF Foot Valves



DIMENSIONS INCHES

WORKING PRESSURES PSI

Size	D	S		Check Valve		Foot Valve				20°C 68°F	30°C 94°F	40°C 105°F	50°C 120°F	60°C 140°F
		(Soc)	(Thd)	L _S (Soc)	L _T (Thd)	A	B _S (Soc)	B _T (Thd)	Screen Slot Width					
1/2"	2.0	0.89	0.63	3.54	3.03	1.7	4.82	4.57	0.08	150	150	150	90	35
3/4"	2.3	1.00	0.75	3.98	3.46	2.0	5.53	5.28	0.09	150	150	150	90	35
1"	2.7	1.13	0.87	4.38	3.86	2.3	6.09	5.83	0.10	150	150	150	90	35
1-1/4"	3.2	1.26	0.94	5.04	4.41	2.5	6.89	6.57	0.11	150	150	150	90	35
1-1/2"	3.7	1.38	0.94	5.67	4.80	2.8	7.76	7.32	0.12	150	150	150	90	35
2"	4.5	1.50	1.10	6.51	5.71	3.0	8.71	8.31	0.12	150	150	150	90	35
2-1/2"	6.6	1.75	1.30	7.72	6.81	3.2	10.10	9.65	0.16	150	120	90	45	15
3"	6.6	2.00	1.42	9.13	7.95	3.2	11.26	10.67	0.16	150	120	90	45	15

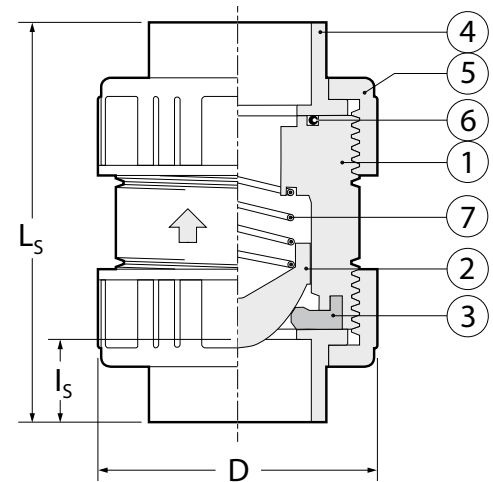
Maximum Temperature: 60°C (140°F).

NET WEIGHTS LB. Cv VALUES

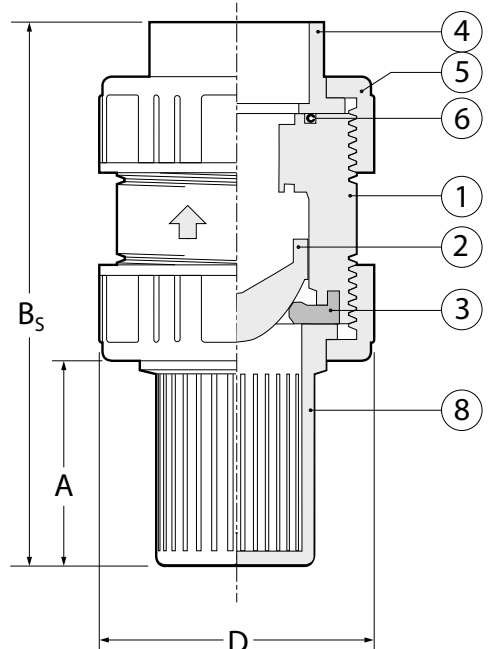
CRACKING PRESSURE PSI

Size	Check Valves	Check Valve (spring)	Foot Valve (no spring)	Check Valve (spring)	Foot Valve (no spring)
1/2"	0.15	2.4	6.0	0.174	4.3
3/4"	0.24	5.5	11	0.145	4.3
1"	0.36	10	16	0.145	4.3
1-1/4"	0.55	24	33	0.145	4.3
1-1/2"	0.86	38	52	0.116	4.3
2"	1.5	78	74	0.116	4.3
2-1/2"	6.2	175	175	0.087	4.3
3"	6.4	210	210	0.087	4.3

Cv = USGPM flow @ 1 psi ΔP



Check Valve



Foot Valve

PARTS

▲ Recommended Spare Parts

OPTION

- PP Foot Valve Screen

No.	Part	Pcs.	Materials
1	Body	1	PVC
2	Disc	1	PVC
3▲	Seat Gasket	1	EPDM, FPM (Viton®)
4	End Connector	2	PVC
5	Union Nut	2	PVC
6▲	Face O-Ring	1	EPDM, FPM (Viton®)
7▲	Spring	1	PTFE covered SS
8▲	Foot Valve Screen	1	PP

Foot valve is not normally supplied with part 9

ORDERING EXAMPLE

Chemline Type XLC PVC True Union Check Valve	XL	C	A	015	E	S
Type	C – Check F – Foot					
Material	A – PVC					
Size	005 – 1/2"	007 – 3/4"	010 – 1"	012 – 1-1/4"		
	015 – 1-1/2"	020 – 2"	025 – 2-1/2"	030 – 3"		
Seals	E – EPDM V – FPM (Viton®)					
Ends	S – Socket	T – Threaded	F – Flanged			

Example: Chemline Type XLC PVC True Union Check Valve, 1-1/2", with EPDM seals, socket ends.

XLC & XLF Series 03/21