

Electromni® Actuators

The Chemline Electromni® Actuator is a high quality yet economical electric actuator for mounting onto all Chemline ball valves up to 2" – Compact, Type 21 True Union and Type 23 Multi Port. The actuator is compact and light weight – well suited for plastic and also metal ball valves.

Chemline normally mounts Electromni's to ball valves in-house. The units are assembled, adjusted and bench tested prior to shipment.

Low Cost

Compact & Light Weight

Features

- **Approved by CSA** (Canadian Standards Association)
- **Compact Design**
Perfect for space limited applications
- **Light Weight**
- **NEMA 4X Plastic Housing**
Corrosion-proof/Waterproof housing with high impact ABS plastic cover, PVC base, stainless steel fasteners
- **No Maintenance**
Permanently lubricated gear train
- **25% Duty Cycle Unidirectional Motors**
120 and 220 VAC
- **75% Duty Cycle Reversible Motors**
12 and 24 VAC and VDC
- **Thermal Overload Protection** – Thermal switch imbedded in motor windings
- **Minimum Design Life** – 250,000 cycles

Options

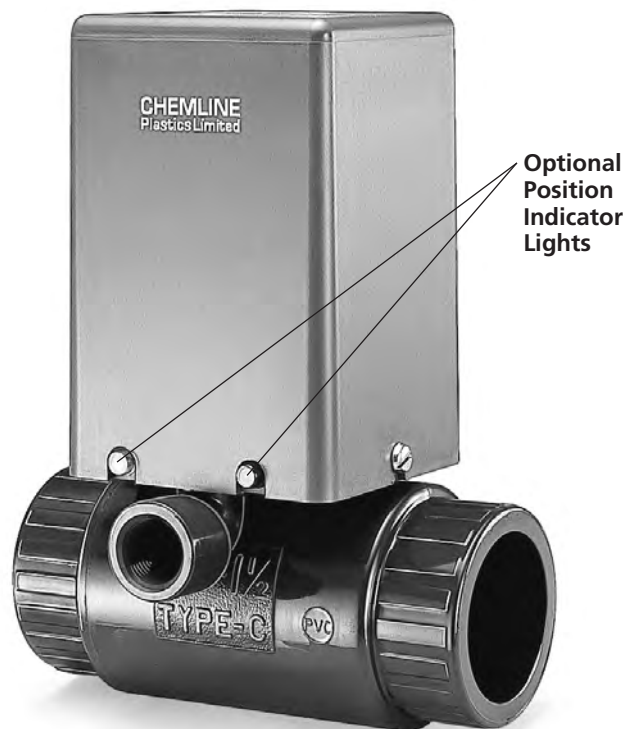
- **Position Indication Lights** – Built into PVC base. Lights indicate valve is fully open (amber) or closed (green)
- **Extra Limit Switch** – Only one extra SPDT switch is required for both open and closed position feedback
- **Two-Wire Control** – For retrofitting solenoids or for direct-wiring timers, level switches, etc.

CHEMLINE
Plastics Limited

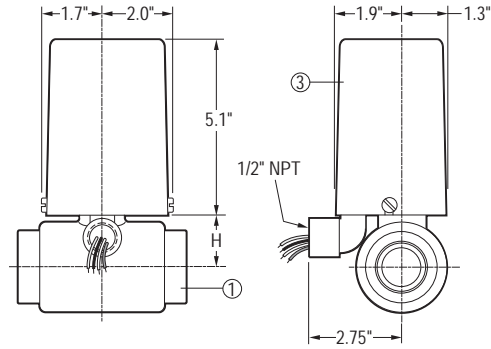
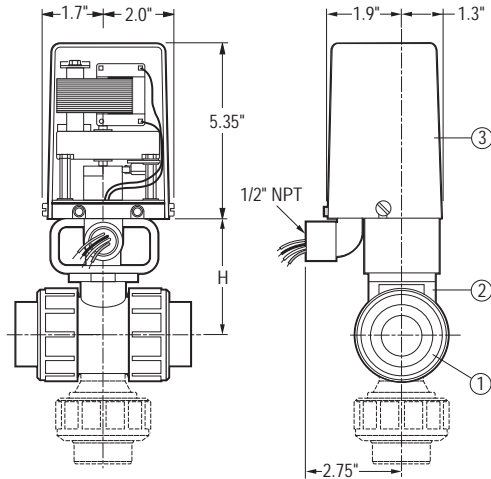
Your Pipeline To Quality

for Chemline Ball Valves up to 2"

SERIES:	EO – Standard EL – With Lights
VOLTAGES:	12, 24, 115 or 220 VAC, 12 or 24 VDC
ENCLOSURE:	High Impact ABS Plastic Cover and PVC Base NEMA 4X (IP 65)



Electromni® on Chemline Compact Ball Valve



Compact Ball Valves

Type 21 True Union and Type 23 Multi Port Ball Valves

MAJOR PARTS

No.	Component	Pcs.	Materials
1	Valve	1	PVC, CPVC PP or PVDF
2	Mounting Bracket*	1	PVC or Anodized Aluminum
3	Actuator	1	ABS Cover, PVC Base

*Electromni Actuator direct mounts to Compact Ball Valves requiring no mounting bracket or socket screws. For Type 21 TU ball valves and Type 23 Multi Port ball valves, mounting hardware is PPG bracket and 304 SS coupling.

DIMENSION "H" INCHES

Valve Size	Ball Valve Type		
	Type 21	Compact	Type 23
1/2"	2.76	0.8	2.76
3/4"	3.01	0.1	3.01
1"	3.29	1.2	3.29
1-1/4"	3.64	1.4	3.64
1-1/2"	3.98	1.5	3.98
2"	4.43	1.9	4.43

For valve dimensions and parts refer to separate valve data sheets.

SPECIFICATIONS

- **Output Torque** – 120 in-lb.
- **Enclosure** – NEMA Type 4X
- **Weight** – 3.4 lb. (excluding valve)
- **Limit Switches** – Standard unit has 1 SPDT switch rated 5 amps at 120 volts
- **Conduit Entry** – 1/2" NPT
- **Lubrication** – Not necessary. Gear train is permanently lubricated
- **Ambient Temperature Range** –10 to 60°C (15 to 140°F)
- **Failure Mode** – In case of power failure actuator stops in last position. If manual override or failsafe functions are required, another actuator, the Q Series model is available.

SPECIFICATIONS

Model Number		Volts	Hz	Speed sec/90°	Motor ²	Duty Cycle	Current Draw (amp)*
no Lights	with Lights ¹						
EO1	EL1	120 VAC	60/50	5	Uni	25%	2.2
EO2	EL2	220 VAC	60/50	5	Uni	25%	0.6
EO3	EL3	12 VDC	–	5	Rev	75%	1.0
EO4	EL4	24 VDC	–	5	Rev	75%	1.0
EO5	EL5	12 VAC	60/50	5	Rev	75%	2.25
EO6	EL6	24 VAC	60/50	5	Rev	75%	4.0

*Current draw values are maximum, ie. for locked rotor position. Running current draw will be less.

¹ "Lights" are optional Position Indication Lights built into actuator base.

² Uni = Unidirectional motor; Rev = Reversible motor.

AC WIRING DIAGRAM

