

SB 17 Mini Back Pressure/ Relief Valves

The Chemline SB Series Back Pressure/Relief Valve has two functions. As a *back pressure* valve, installed in-line downstream of a pump, the back pressure below the metering pump is maintained. When installed in the branch of a tee it is a *pressure relief* valve. The valve stays closed until inlet pressure reaches the set pressure which is adjusted by turning the spring tensioning bolt. The "Mini" SB17 size relief valves offer high performance in a compact package.

True Union Ends

Ideal for Chemical Dosing Systems

Features

True Union Ends

- Easy installation and maintenance
- Eliminate chemical leakage problems common with old fashioned threaded connections

Flow Rates

- Up to 500 l/hr

Recommended Viscosity

- Recommended for services with a maximum viscosity of 400cP

Technical

Set Pressure Range:

- 7.5 to 150 psi

Flow Rates

- Up to 500 l/hr (2.2 USGPM)

Maximum Viscosity:

- 400cP is maximum recommended service viscosity



Optional ChemFlare™ End Connections

CHEMLINE
Plastics Limited

Your Pipeline To Quality

PVC, PP, PVDF

SIZES: 1/4" – 3/8"

ENDS: Socket, Threaded or ChemFlare™¹

DIAPHRAGM: Teflon® Bonded EPDM

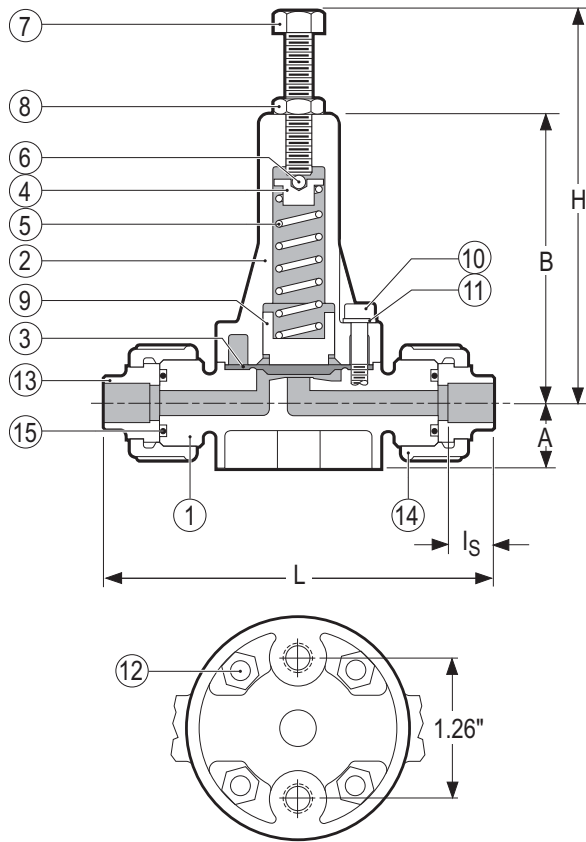
O-Rings: EPDM, FPM (Viton®)

CRN
REGISTERED
CONSULT CHEMLINE



¹ For details on ChemFlare™ End Connectors, consult Chemline.

SB 17 Back Pressure/Relief Valves



PARTS

▲ Recommended Spare Parts

| No. | Part | Pcs. | Materials |
|-----|------------------------|------|--------------------------|
| 1 | Body | 1 | PVC, PP, PVDF |
| 2 | Bonnet | 1 | PPG |
| 3▲ | Diaphragm | 1 | Teflon® PTFE bonded EPDM |
| 4 | Spring Plate | 1 | Cadmium Plated Steel |
| 5 | Spring | 2 | Galvanized Steel |
| 6 | Ball | 1 | 304 SS |
| 7 | Spring Tensioning Bolt | 1 | 304 SS |
| 8 | Lock Nut | 1 | 304 SS |
| 9 | Pressure Plate | 1 | Cadmium Plated Steel |
| 10 | Socket Head Bolt | 4 | 304 SS |
| 11 | Washer | 4 | 304 SS |
| 12 | Nut | 4 | 304 SS |
| 13 | End Connector | 2 | PVC, PP, PVDF |
| 14 | Union Nut | 2 | PVC, PP, PVDF |
| 15▲ | Face O-Ring | 2 | EPDM, FPM (Viton®) |

DIMENSIONS INCHES

WEIGHTS LBS.

| Size | A | B | H | Is | L† | ChemFlare™ | | PVC | PP | PVDF |
|------|------|------|------|------|------|-----------------|---------|-----|-----|------|
| | | | | | | L _{CF} | Tube ID | | | |
| 1/4" | 0.80 | 3.50 | 4.72 | 0.67 | 4.70 | 5.84 | 1/4" | 0.5 | 0.4 | 0.6 |
| 3/8" | 0.80 | 3.50 | 4.72 | 0.67 | 4.70 | 6.00 | 3/8" | 0.5 | 0.4 | 0.6 |

† For socket or threaded.

MAXIMUM PRESSURES PSI

| Size | PVC | | | | PP | | | | | | PVDF | | | | | |
|------|--------------|--------------|---------------|---------------|--------------|--------------|---------------|---------------|---------------|---------------|--------------|---------------|---------------|---------------|---------------|----------------|
| | 20°C 68°F | 30°C 86°F | 40°C 104°F | 50°C 122°F | 20°C 68°F | 30°C 86°F | 40°C 104°F | 50°C 122°F | 60°C 140°F | 70°C 158°F | 30°C 86°F | 50°C 122°F | 70°C 158°F | 80°C 176°F | 90°C 194°F | 100°C 212°F |
| 1/4" | 150 | 100 | 60 | 15 | 150 | 120 | 90 | 60 | 37.5 | 15 | 150 | 100 | 60 | 40 | 25 | 15 |
| 3/8" | 150 | 100 | 60 | 15 | 150 | 120 | 90 | 60 | 37.5 | 15 | 150 | 100 | 60 | 40 | 25 | 15 |

Temperature Ranges: PVC 0 to 50°C (32 to 122°F), PP -20 to 70°C (-4 to 158°F), PVDF -40 to 100°C (-40 to 212°F).

ORDERING EXAMPLE

| | | | | | |
|---|---|---|-----|---|----|
| Chemline Mini Back Pressure/Relief Valves | SB17 | A | 003 | E | UT |
| Body Material | A - PVC B - PP K - PVDF | | | | |
| Size | 002 - 1/4" 003 - 3/8" | | | | |
| O-Ring | E - EPDM V - FPM (Viton®) | | | | |
| Ends | T - Threaded S - Socket B - Butt CF4 - ChemFlare™ 1/4" tube CF6 - ChemFlare™ 3/8" tube | | | | |

Example: Chemline SB17 Series, PVC, 3/8" diameter, Teflon® bonded EPDM diaphragm, EPDM O-rings, True Union threaded ends.



55 Guardsman Road, Thornhill, Ontario, Canada, L3T 6L2
Tel: 905-889-7890 request@chemline.com
Fax: 905-889-8553 www.chemline.com



Your Pipeline To Quality Valves, Piping, Flow Meters and Controls