

# Swing Check Valves

The Chemline SC Series Swing Check Valve is the heaviest duty solid plastic non-return valve available. The strong one piece flanged body is suitable for installation in any type of piping, horizontally or vertically. A large choice of body materials and seals including PVDF and Teflon® allow its use in the most aggressive chemical services. Pressure drop is low due to full flow design.



**CHEMLINE**  
Plastics Limited

*Your Pipeline To Quality*

**PVC<sup>†</sup>, PP, PVDF**

**SERIES:** SC

**SIZES:** 3/4" – 8"

**ENDS:** Flanged

**SEALS\*:** EPDM, Teflon®

**Low Pressure Loss**

**Horizontal or Vertical Operation**

**Heavy Duty Design**

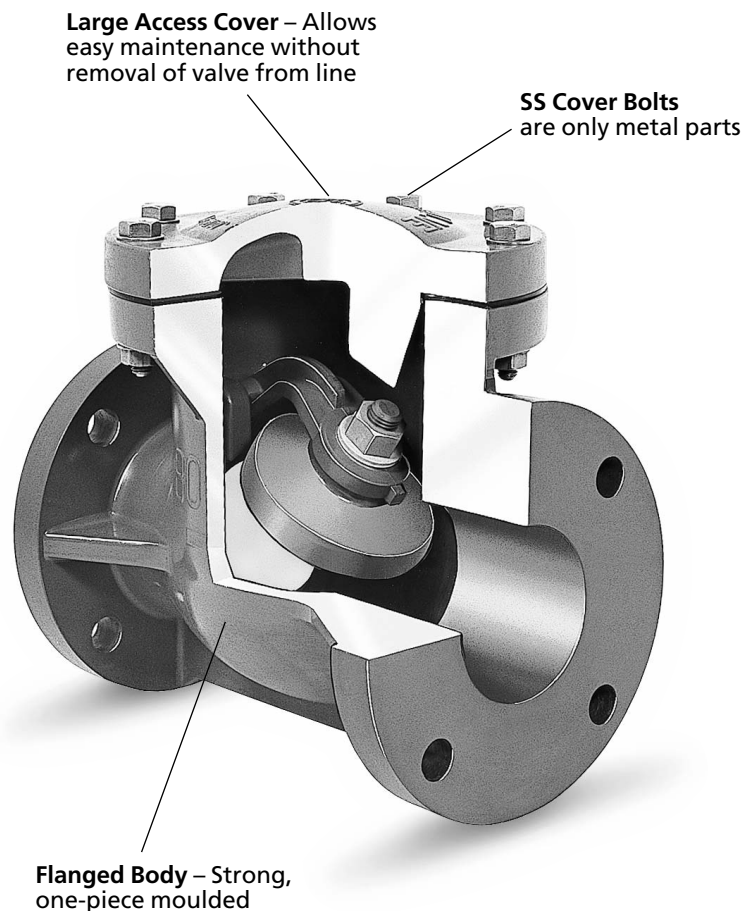
## Features

- **Strong, One-Piece Moulded Flanged Body**  
– Suitable for installation in metal piping
- **Light Weight**
- **Large Flow Capacity** – Low pressure drop



**PVDF Valve** – Resists extremely aggressive chemicals

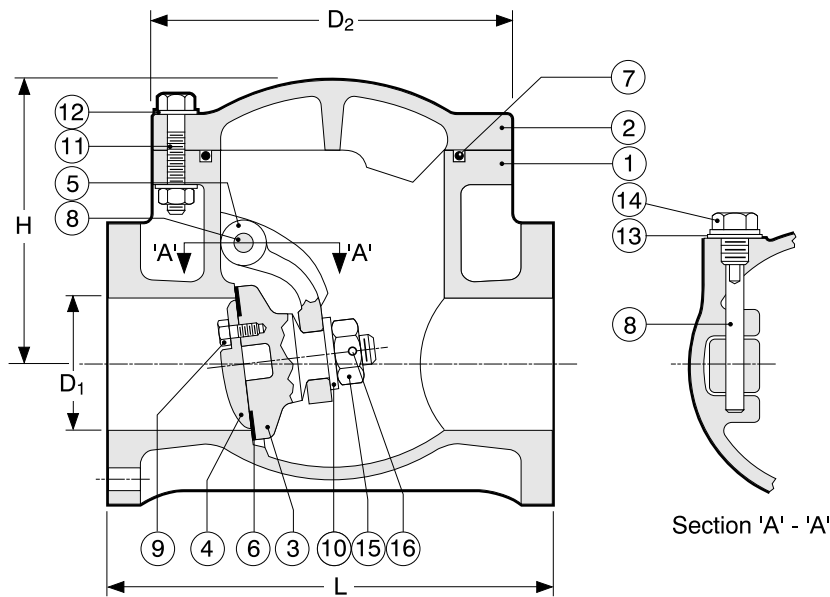
**CRN**  
REGISTERED  
CONSULT CHEMLINE



\* Standard seals are EPDM in PVC, PP valves, Teflon® and PVDF coated EPDM in PVDF valves.

† All PVC valve parts are now made of High Impact PVC material.

# Swing Check Valves



## PARTS

No.	Part	Pcs.	Materials
1	Body	1	PVC, PP, PVDF
2	Bonnet	1	PVC, PP, PVDF
3	Disc	1	PVC, PVDF†
4	Seat Holder	1	PVC, PP, PVDF
5	Swing Arm	1	PVC, PP, PVDF
6	Seat	1	EPDM, PTFE*
7	Bonnet O-Ring	1	EPDM, PVDF coated EPDM*
8	Hinge Pin	1	PVC, PP, PVDF
9	Disc Bolt	Set	PVC, PP, PVDF
10	Washer	1	PVC, PP, PVDF
11	Bolt & Nut	Set	304 SS
12	Washer	Set	304 SS
13	Sheet Gasket	1	EPDM, PTFE*
14	Side Plug	1	PVC, PP, PVDF
15	Disc Lock Nut	1	PVC, PP, PVDF
16	Set Pin	1	PVC, PP, PVDF

\* PVC, PP valves are fitted with EPDM seals as standard (parts 6, 7, 13). PVDF valves have parts 6 & 13 of Teflon® PTFE and No. 7 of PVDF coated EPDM as standard. † PP valve has PVDF disc.

All PVC valve parts are now made of High Impact PVC.

## WORKING PRESSURES PSI      NET WEIGHTS LB.      DIMENSIONS INCHES      Cv VALUES

Size	PVC		Polypropylene			PVDF		PVC	PP	PVDF	D <sub>1</sub>	L	D <sub>2</sub>	H	USGPM Flow at 1 psi ΔP
	0-25°C 32-77°F	50°C 122°F	-20-25°C -4-77°F	60°C 140°F	80°C 176°F	-20-25°C -4-77°F	100°C 212°F								
3/4"	150	100	150	100	85	150	90	1.7	1.3	2.2	0.79	5.51	3.39	3.54	14
1"	150	100	150	100	85	150	90	3.5	2.4	4.4	0.98	6.30	5.12	4.72	24
1-1/2"	150	100	150	100	85	150	90	5.9	3.7	6.2	1.57	7.09	5.71	5.43	81
2"	150	100	150	100	85	150	90	8.8	6.2	10.	1.97	7.87	7.09	6.46	140
2-1/2"	150	100	150	100	85	150	90	11.	7.7	13.	2.56	9.45	7.87	6.61	250
3"	150	100	150	100	85	150	90	13.	8.4	15.	3.15	10.24	8.07	6.73	280
4"	100	75	100	75	60	100	70	21.	15.	25.	3.94	11.81	10.43	8.39	510
5"	100	75	100	75	60	100	70	36.	25.	43.	4.92	13.78	12.99	9.76	750
6"	100	75	100	75	60	100	70	46.	32.	56.	5.91	15.75	14.57	11.14	1,100
8"	70	50	70	50	30	70	50	75.	52.	90.	7.87	19.69	16.73	13.23	1,900

Working pressures of PVC and PP valves fitted with Teflon® seals are lower than above. Consult Chemline.

Temperature Ranges: PVC 0 to 60°C (32 to 140°F), PP -20 to 90°C (-4 to 194°F), PVDF -20 to 100°C (-4 to 212°F).

## OPTIONS

- Alternate seat and seals of Teflon® or FKM (Viton®)
- External lever and weight or spring to assist disc to close faster

## VACUUM RATING

- 29.9 inches mercury

## ORDERING EXAMPLE

Chemline Swing Check Valves					SC	K	015	P
Valve Material	A - PVC	B - PP	K - PVDF					
Size	007 - 3/4"	010 - 1"	015 - 1-1/2"	020 - 2"	025 - 2-1/2"			
	030 - 3"	040 - 4"	050 - 5"	060 - 6"	080 - 8"			
Seals	E - EPDM		P - Teflon® & PVDF					

Example: Flanged Swing Check Valve, PVDF, 1-1/2", with Teflon® & PVDF seals.

## PRESSURE TO OPEN/CLOSE PSI

Size	Minimum ΔP to Open		Minimum ΔP to Close	
	Horizontal	Vertical	Horizontal	Vertical
1"-2-1/2"	1.4	1.4	3.6	2.8
3"-5"	1.4	1.4	4.3	3.6
6"	1.4	2.1	5.0	4.3
8"	2.1	2.8	5.0	4.3

Above data is from tests using water on valves with EPDM disc facing.



55 Guardsman Road, Thornhill, Ontario, Canada, L3T 6L2

Tel: 905-889-7890 request@chemline.com

Fax: 905-889-8553 www.chemline.com



Your Pipeline To Quality Valves, Piping, Flow Meters and Controls