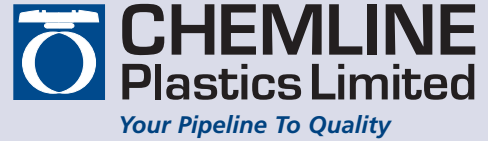


Type 56 Butterfly Valves



The Chemline TB Series Butterflies have performed successfully for many years in demanding process control applications. Type 56 is the new updated version of the TB Series. The redesigned hand lever no longer has external metal parts. The Type 56 has a redesigned valve "top flange" and shaft, now conforming to ISO for standardized actuator mounting³. These valves offer a large range of sizes and selection of body, disc and seat materials. This allows them into a wide range of on/off or throttling control applications.

Elastomer Seated

SIZES: 16" – 24"

BODY TYPE: Semi lug Wafer¹

MATERIALS:

Body: PVC, PP, PVDF

Disc: PP (Standard), PVC, CPVC, PVDF

Seat and O-Rings: EPDM²

Sizes up to 24"

Updated version of TB Series

Easy Actuator Mounting³

Features

Compact and Light Weight

High Corrosion Resistance

- Double O-rings at top and bottom of disc prevent wetting of shaft
- Solid plastic body – no rust
- Polypropylene lever operators
- Gear operators have epoxy coating and stainless steel trim

Abrasion Resistant

- Solid plastic disc
- PVDF disc available for high abrasion resistance

ISO Actuator Mounting Dimensions³

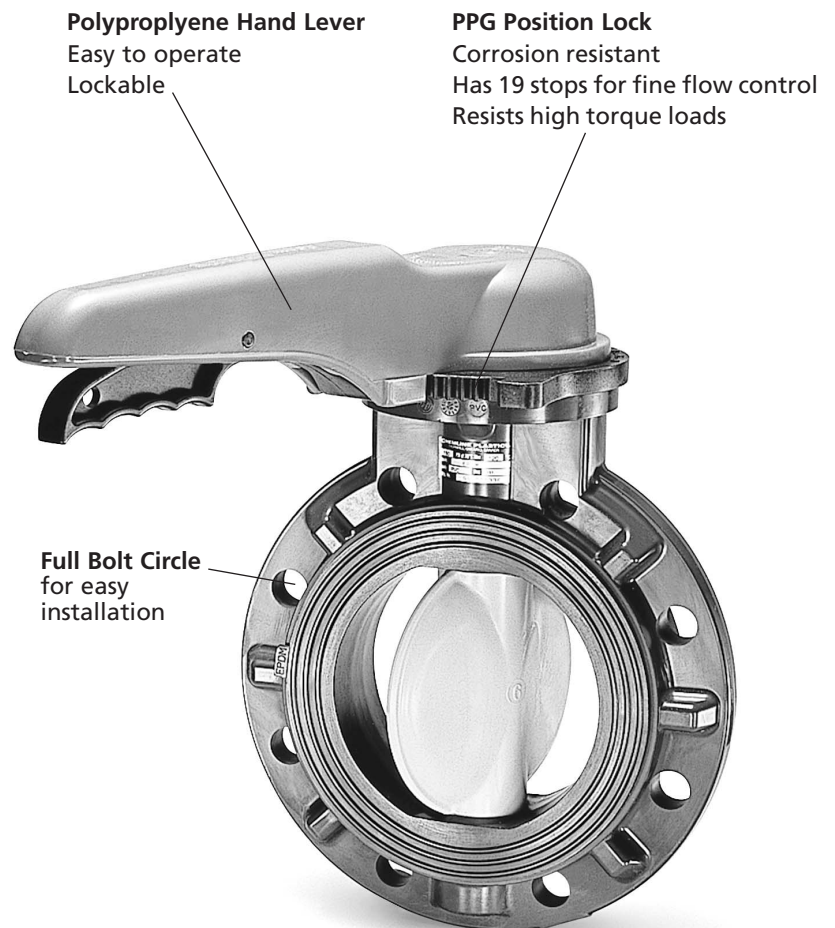
- "Top flange" and shaft have standard ISO dimensions for easy actuator mounting.

Easily Installed

- Full bolt hole circle makes installation and alignment easy
- No gaskets are necessary

Easily Maintained

- Seat is easily replaceable



¹ Full stainless steel lug bodies are available as an option.

² Other elastomer seats are available.

³ New ISO dimensions on sizes up to 16".

Type 56/TB Butterfly Valves (16" - 24")



Deluxe Gear Operators

- Available on all valve sizes
- Epoxy coating resists corrosion
- Stainless steel shaft
- All plastic hand wheel with crank



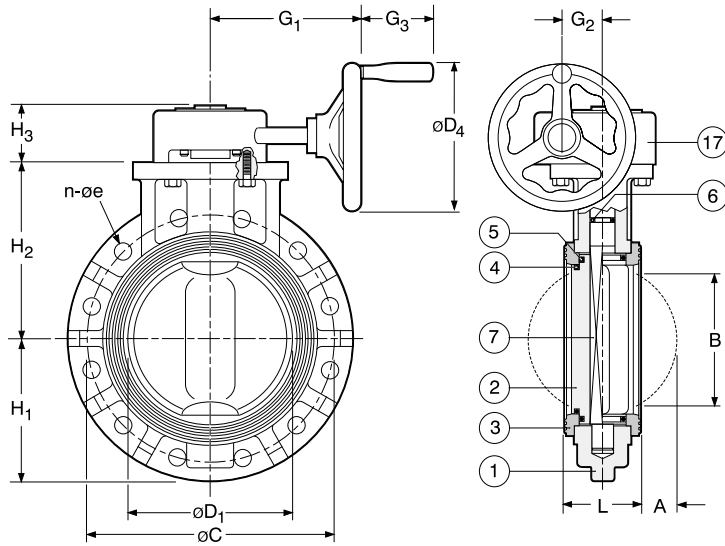
Electrically or Pneumatically Actuated

- Top flange of valve has standard ISO dimensions allowing for easy mounting of actuators

The Shaft Sealing System – Simple But Effective



Type 56/TB Butterfly Valves (16" - 24")



PARTS

▲ Recommended Spare Parts

No.	Part	Pcs.	Materials
1	Body (16" - 24")	1	PP (Standard)
	Body (16" - 24")	1	PVDF (Optional)
2	Disc (16" - 24")	1	PP (Standard)
	Disc (16" - 24")	1	PVDF (Optional)
3▲	Seat	1	EPDM†
4▲	Large Disc O-Ring	2	EPDM†
5▲	Small Disc O-Ring	2	EPDM†
6▲	Shaft O-Ring	1	EPDM†
7	Shaft	1	403 SS
17	Gear Operator	1	Cast Aluminum Epoxy Coated††

† Alternate elastomer seats and O-rings are available.
 †† Gear Operator for 18" to 24" is cast iron epoxy coated.

DIMENSIONS INCHES

Size	Valve Type	L	A	B	C	n	e	D ₁	D ₄	E/G ₁	G ₂	G ₃	H ₁	H ₂	H ₃
16"	56	6.65	4.56	14.53	21.25	16	1.14	5.98	9.8	8.4	3.0	3.7	11.8	13.8	4.0
18"	TB	7.05	5.38	16.34	22.75	16	1.26	17.80	12.4	12.6	4.3	3.4	12.4	14.6	4.1
20"	TB	7.48	6.15	18.29	25.00	20	1.26	19.76	12.4	12.6	4.3	3.4	13.8	15.8	4.1
24"	TB	8.23	7.76	22.27	29.50	20	1.38	23.74	12.4	12.6	4.3	3.4	16.0	18.3	4.1

WORKING PRESSURES PSI

VACUUM NET RATING WEIGHTS LB.

Size	Valve Type	PVC Body/PP Disc				PP Body/PP Disc		PVDF Body/PVDF Disc/Viton®				Inches Mercury	Body/Disc		
		0-50°C 32-122°F	60°C 140°F	83°C 181°F	-20-60°C -4-140°F	80°C 176°F	-20-60°C -4-140°F	79°C 175°F	100°C 212°F	121°C 250°F	PVC/ PP		PP/ PP	PVDF/ PVDF	
16"	56	-	-	-	85	45	85	45	30	15	25.6	-	77.0	100.0	
18"	TB	-	-	-	70	45	75	45	30	15	23.4	-	195.	227.	
20"	TB	-	-	-	50	30	50	30	25	15	23.4	-	231.	273.	
24"	TB	-	-	-	50	30	50	30	25	15	23.4	-	284.	345.	

C_v VALUES VS. DISC ANGLE

TORQUES

Size	Disc Angle						Flange Bolt Torques Foot-Pounds
	15°	30°	45°	60°	75°	90°	
16"	0	300.	2,277.	4,929.	6,822.	8,340.	58
18"	0	392.	2,973.	6,436.	8,908.	10,890.	58
20"	0	506.	3,838.	8,309.	11,501.	14,060.	72
24"	0	666.	5,051.	10,934.	15,133.	18,500.	72

OPTIONS & ACCESSORIES

- Alternate Elastomer Seats – Viton® or Aflas
- Electric or Pneumatically Actuated – Refer to separate data sheets
- Municipal Operating Nut for buried service
- Chain Wheel Operator
- Locking Capability
- Shaft Extensions
- Lug Body Inserts – Stainless steel lugs for dead end service
- Limit Switches for open and/or closed position indication

ORDERING EXAMPLE

Chemline Type 56 Butterfly Valve		56	A		160	B	E	G
Body	A - PVC	B - Polypropylene (PP)	K - PVDF					
Size	160 - 16"	180 - 18"	200 - 20"	240 - 24"				
Disc	B - PP	C - CPVC	K - PVDF		A - PVC			
Seat	E - EPDM	V - Viton®	A - Aflas					
Operator	G - Gear Operator							

Example: Chemline Type 56 Butterfly Valve, PVC body, 16", with PP disc, EPDM seat, gear operator.



CHEMLINE
Plastics Limited

55 Guardsman Road, Thornhill, Ontario, Canada, L3T 6L2
 Tel: 905-889-7890 info@chemline.com
 Fax: 905-889-8553 www.chemline.com

Your Pipeline To Quality Valves, Piping, Flow Meters and Controls

