

YT 850 Series Limit Switch Box



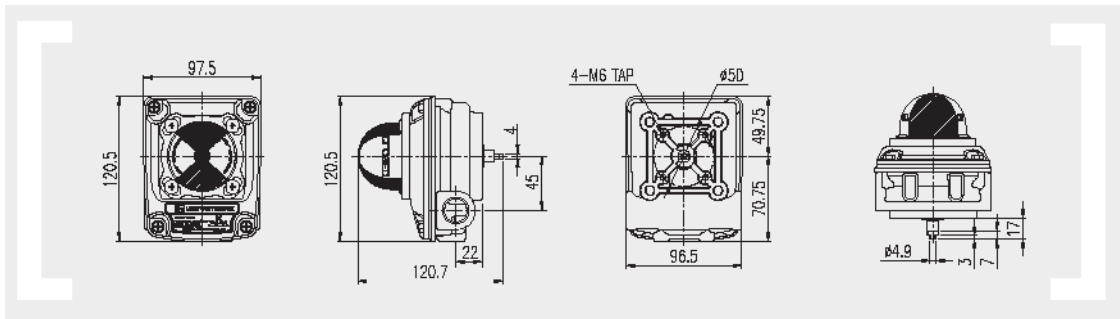
for Chemline
PA & PP Pneumatic
Actuators

Specification

Item - Type	YT-850M	YT-850P
Switch Type	Mechanical Switch x 2	Proximity Sensor x 2
Switch Rating	AC:250V 3A, 125V 6A DC:250V 0.2A, 125V 0.4A, 30V 4A	12-24V DC (Operating voltage:10-30V DC)
Enclosure Protection	Weather proof, IP67	
Ambient Temp.	-20°C~80°C	
Conduit Entry	NPT1/2(PT1/2,PF1/2,M20,PG13.5)	
Terminal	8 Points	
Mouting Bracket	NAMUR VD1 / VDE 3845, ISO 5211	
Material	Aluminum Diecasting	
Weight	880g(1.94lb)	



Dimensions



- Visual position Indicator
- 6 contacts of terminal ports
- Compatibility with any rotary motion actuator <ISO5211>
- Easy adjustment of cam position
- Dual 1/2" conduit entries

Ordering Symbols

Product Number: YT-850 (specify your requirement)

Model	Switching Type	Connection Type	Bracket Type
YT-850	M Mechanical Type	1 NPT1/2	1 ST-1 (30*80,H20)
	P Proximity Type	2 PT1/2	2 ST-2 (30*80,H30)
		3 PF1/2	3 ST-3 (30*130,H30)
		4 M20	4 ST-4 (30*130,H50)



55 Guardsman Road, Thornhill, Ontario, Canada, L3T 6L2
Tel: 905-889-7890 request@chemline.com
Fax: 905-889-8553 www.chemline.com

