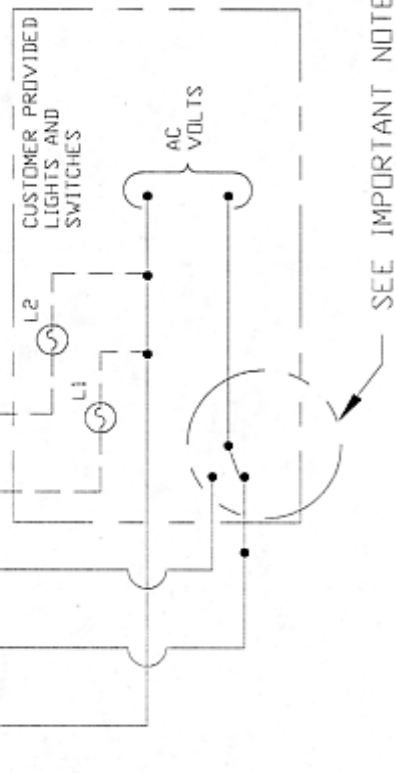
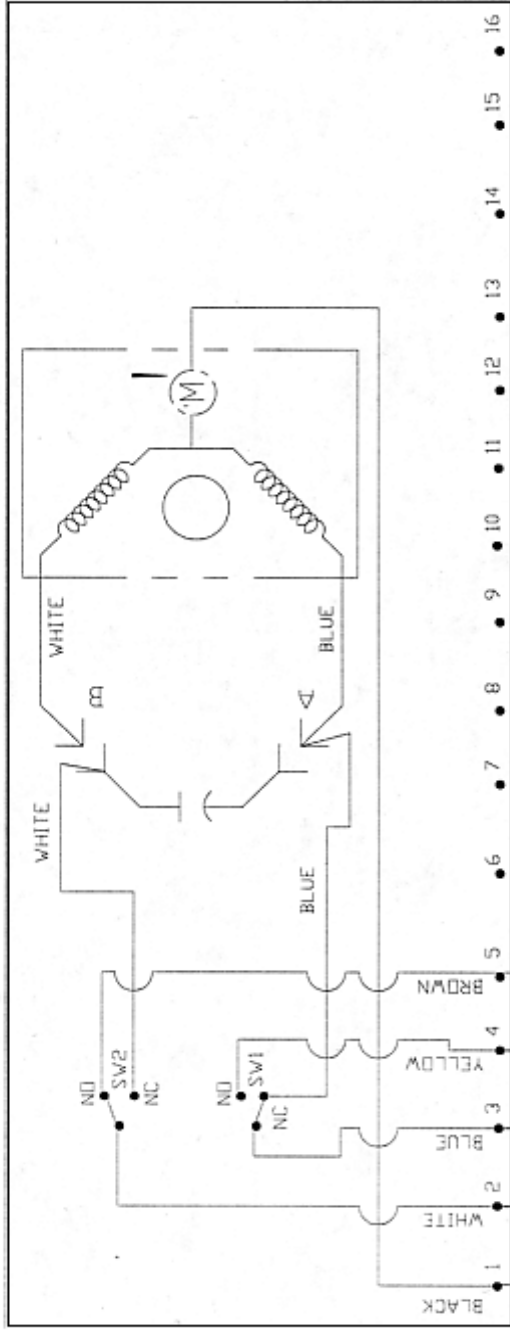


WIRING DIAGRAM FOR 115 VAC AND 220 VAC ONLY

ACTUATOR SHOWN IN COUNTER-CLOCKWISE EXTREME OF TRAVEL, OR "OPEN" POSITION



NOTE:

1. EACH ACTUATOR MUST BE POWERED THRU ITS OWN INDIVIDUAL SWITCH CONTACTS TO AVOID CROSS FEED
2. WIRING AS SHOWN IS FOR AA & AB MOTOR LEADS AT "A" AND "B" ARE REVERSABLE FOR AC AND AD
3. MOTOR HAS A THERMAL PROTECTOR AS SHOWN BY (M) IN DIAGRAM

CHEMLINE PLASTICS INC.

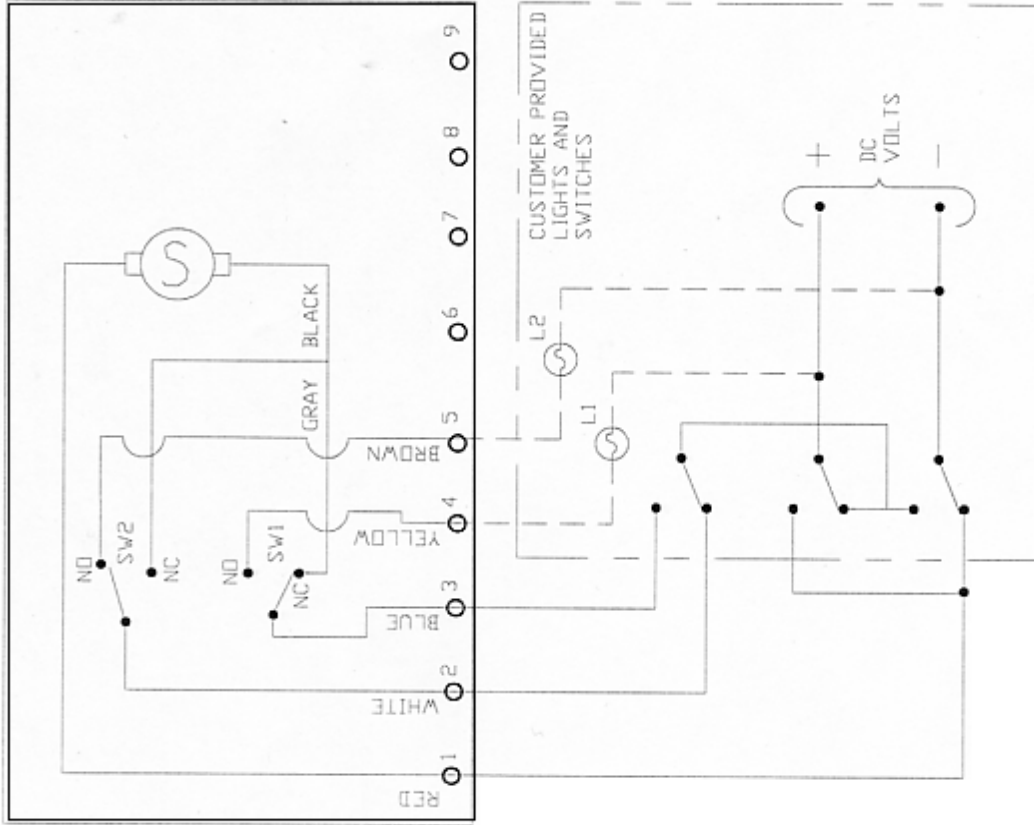
A- & Q-SERIES WIRING
DIAGRAM - 120/220VAC

THIS DRAWING AND ALL INFORMATION HEREON IS THE PROPERTY OF ASAHI/AMERICA. ANY COPYING, REPRODUCTION OR UNAUTHORIZED USE IS FORBIDDEN WITHOUT WRITTEN CONSENT.

NAME	DATE
DR KENICHI MIYAZAKI	B/3/01
APPD DAVE HURLEY	B/3/01
PROD LEO LESTER	B/3/01
WO#/CO#	

SIZE A	DWG. NO. 0043EL	REV A
SCALE	NTS	SHEET 1 OF 1

DC WIRING DIAGRAM



1. ACTUATOR SHOWN IN COUNTER CLOCKWISE EXTREME OF TRAVEL OR "OPEN" POSITION
2. MOTOR LEADS REVERSED FOR 1100 & 2000 IN*LB.S.

1 2 3
 - + = OPEN
 + - = CLOSE

THIS DRAWING AND ALL INFORMATION HEREON IS THE PROPERTY OF ASAHII/AMERICA. ANY COPYING, REPRODUCTION OR UNAUTHORIZED USE IS FORBIDDEN WITHOUT WRITTEN CONSENT.

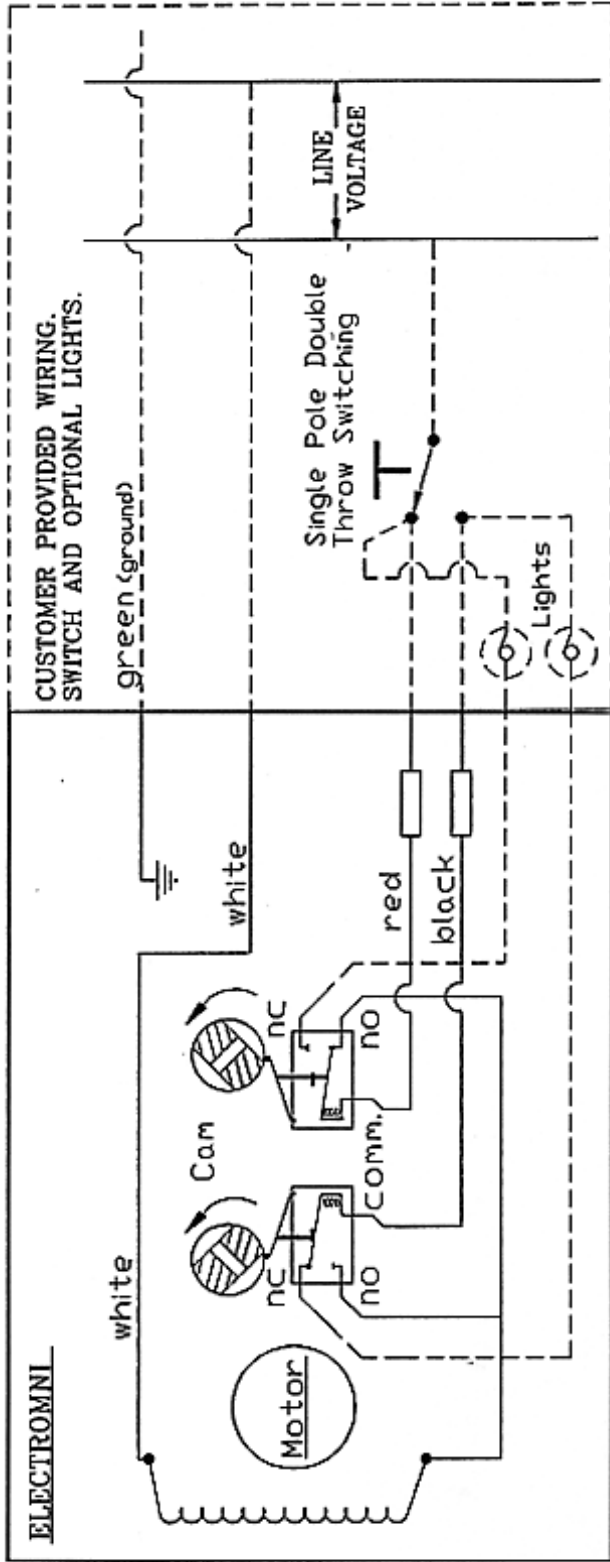
NAME	DATE
DR KENICHI MIYAZAKI	8/3/01
APPD DAVE HURLEY	8/3/01
PROD LEO LESTER	8/3/01
WO#/CO#	
FILE	

CHEMLINE PLASTICS

A- & Q-SERIES WIRING DIAGRAM - 12/24VDC

SIZE A	DWG. NO. 0044EL	REV A
SCALE NTS		SHEET 1 OF 1

WIRING DIAGRAM:



UNLESS OTHERWISE SPECIFIED

DIMENSIONS ARE IN INCHES TOLERANCES

2 PL DECIMALS ± .01

3 PL DECIMALS ± .005

ANGLES ± .5°

FRACTIONS ± 1/64

MATERIAL

FINISH

THIS DRAWING AND ALL INFORMATION

HEREON IS THE PROPERTY OF ASAHII/AMERICA. ANY COPYING, REPRODUCTION OR UNAUTHORIZED USE IS FORBIDDEN WITHOUT WRITTEN CONSENT.

DR	NAME	DATE
LED LESTER		1/15/96
CHK	<i>[Signature]</i>	1/15/96
APPD		
PATH	D-ELECTRIC	

CHEMLINE PLASTICS

WIRING DIAGRAM FOR

ELECTROMNI 12 & 24 VAC

SIZE A DWG. NO. 00003EL REV 1

SCALE NTS

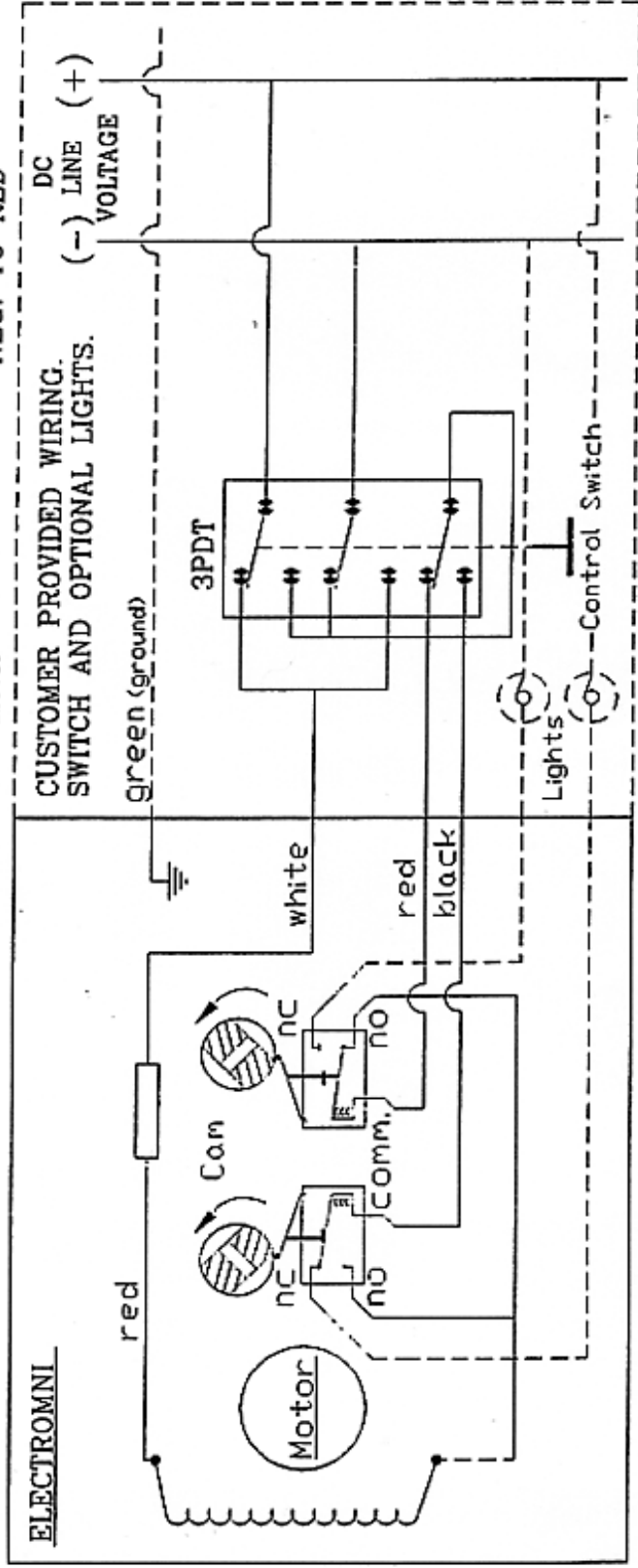
SHEET 1 OF 1

WIRING DIAGRAM:

WIRING DIAGRAM:

TO CLOSE: NEG. TO WHITE
POS. TO BLACK

TO OPEN: POS. TO WHITE
NEG. TO RED



ELECTROMNI

CUSTOMER PROVIDED WIRING.
SWITCH AND OPTIONAL LIGHTS.

DC LINE (+)
DC LINE (-)

UNLESS OTHERWISE SPECIFIED

- DIMENSIONS ARE IN INCHES TOLERANCES
- 2 PL DECIMALS ± .01
- 3 PL DECIMALS ± .005
- ANGLES ± .5°
- FRACTIONS ± 1/64

MATERIAL

FINISH

THIS DRAWING AND ALL INFORMATION
HEREON IS THE PROPERTY OF
ASAHI/AMERICA. ANY COPYING,
REPRODUCTION OR UNAUTHORIZED USE
IS FORBIDDEN WITHOUT WRITTEN
CONSENT.

DR	NAME	DATE
LED LESTER		1/15/96
CHK	<i>[Signature]</i>	1/15/96
APPD		
PATH	D-ELECTRIC	

CHEMLINE PLASTICS

WIRING DIAGRAM FOR

ELECTROMNI 12 & 24VDC

SIZE A DWG. NO. 00003EL REV 1

SCALE

NTS

SHEET 1

OF 1